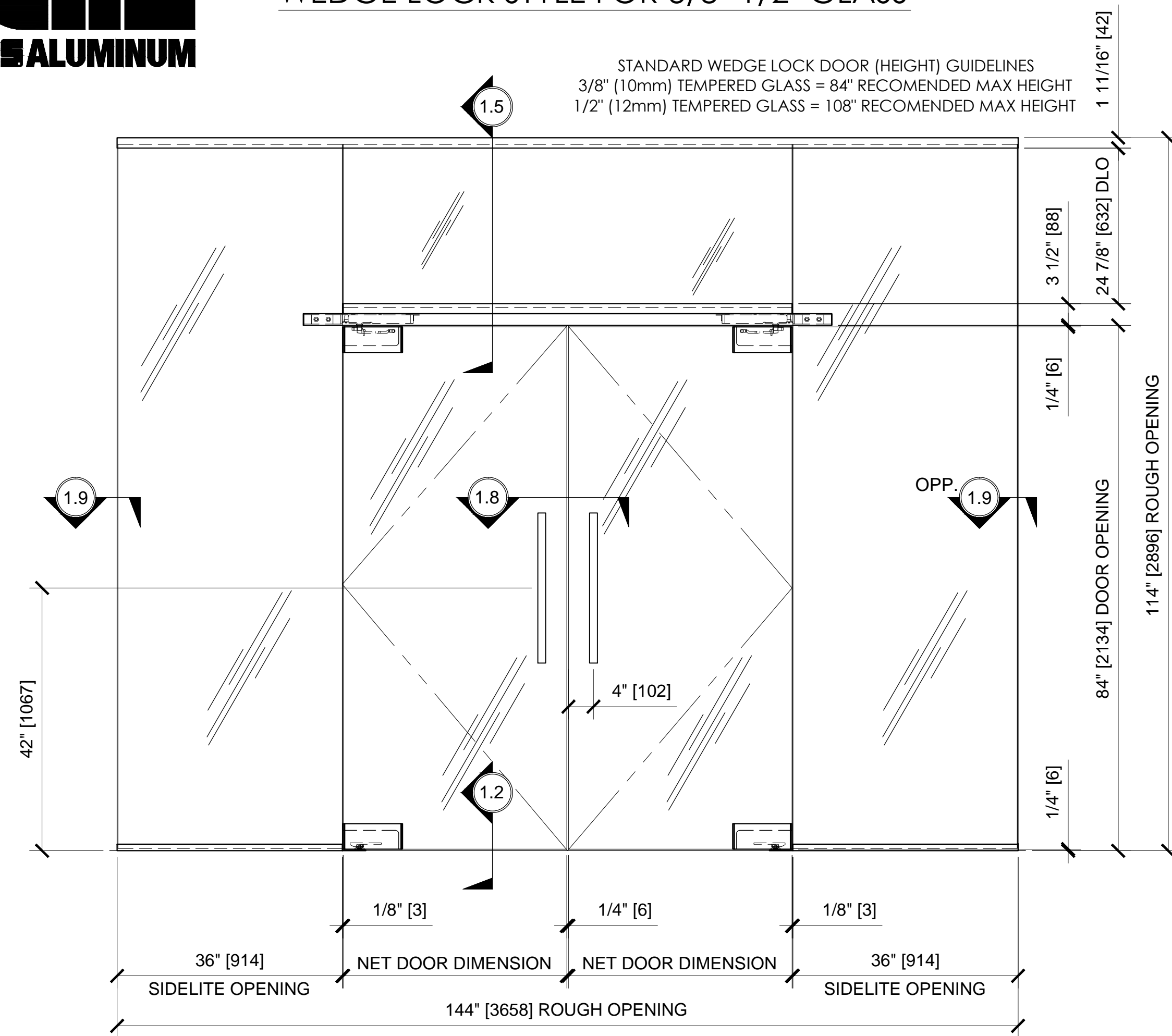


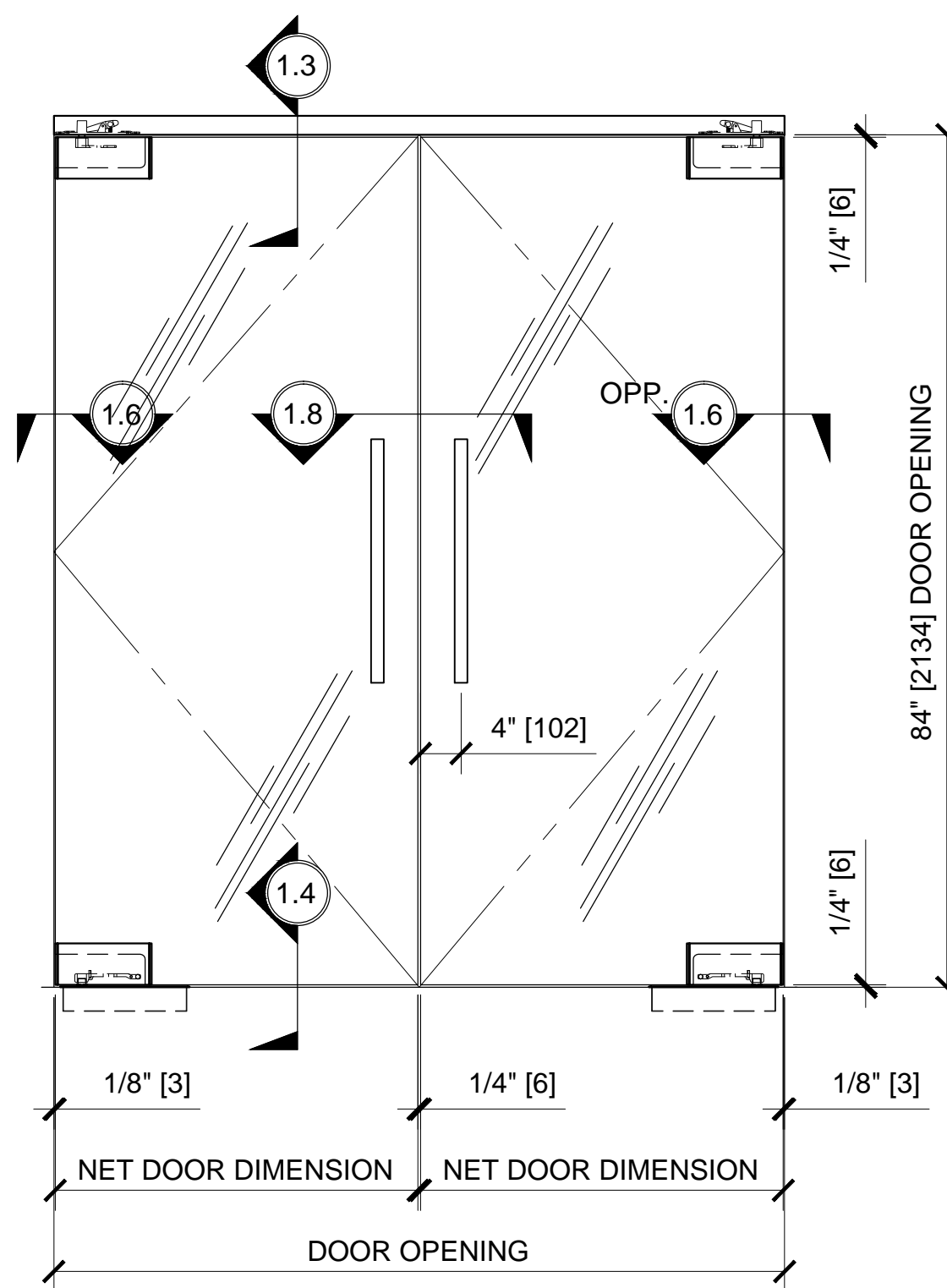


CRL COMMERCIAL PATCH HARDWARE WEDGE LOCK STYLE FOR 3/8"-1/2" GLASS



STANDARD WEDGE LOCK DOOR (HEIGHT) GUIDELINES
 3/8" (10mm) TEMPERED GLASS = 84" RECOMMENDED MAX HEIGHT
 1/2" (12mm) TEMPERED GLASS = 102" RECOMMENDED MAX HEIGHT

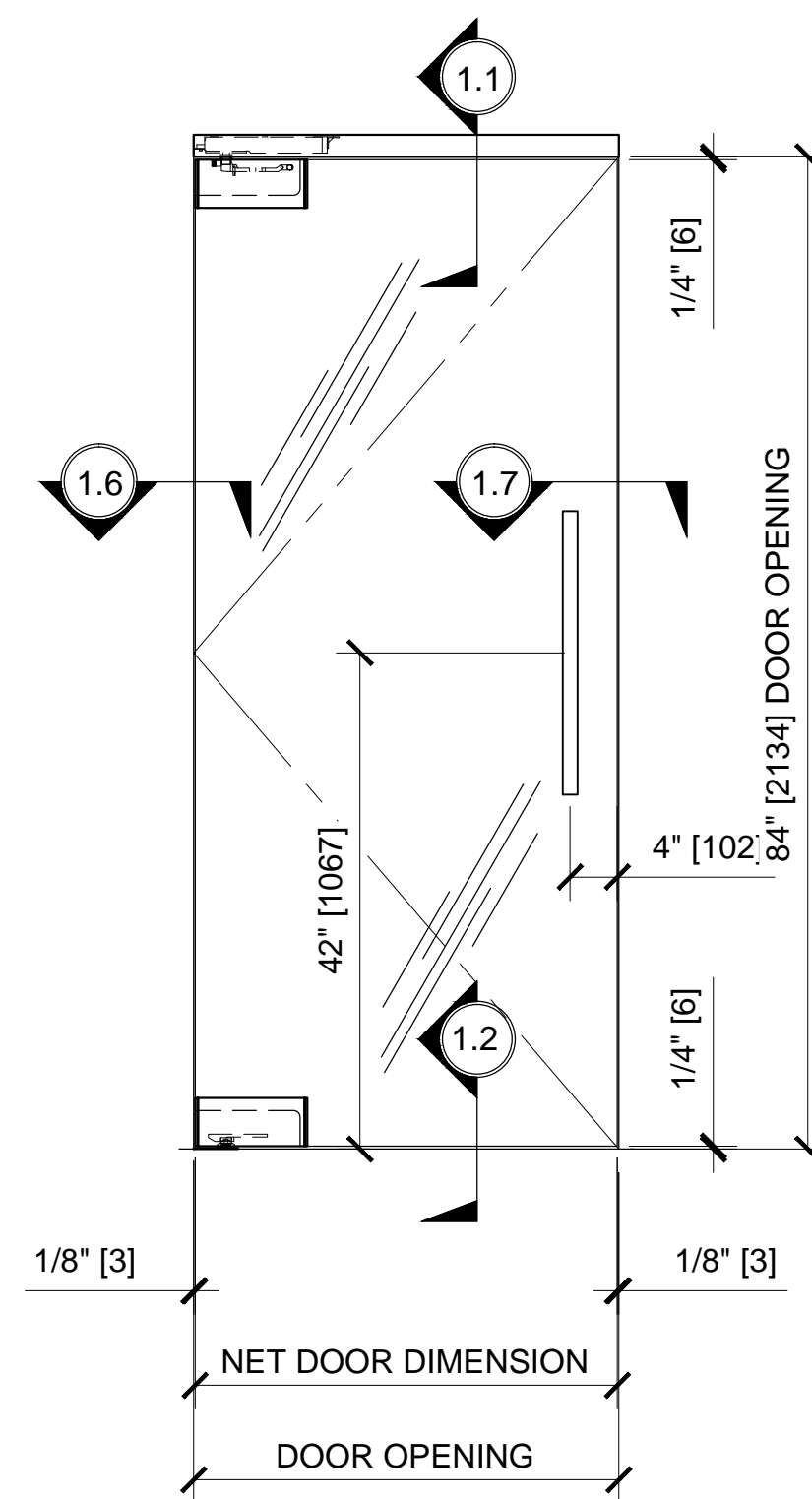
STANDARD WEDGE LOCK DOOR (WIDTH) GUIDELINES
 3/8" (10mm) TEMPERED GLASS = 36" RECOMMENDED MAX WIDTH
 1/2" (12mm) TEMPERED GLASS = 42" RECOMMENDED MAX WIDTH



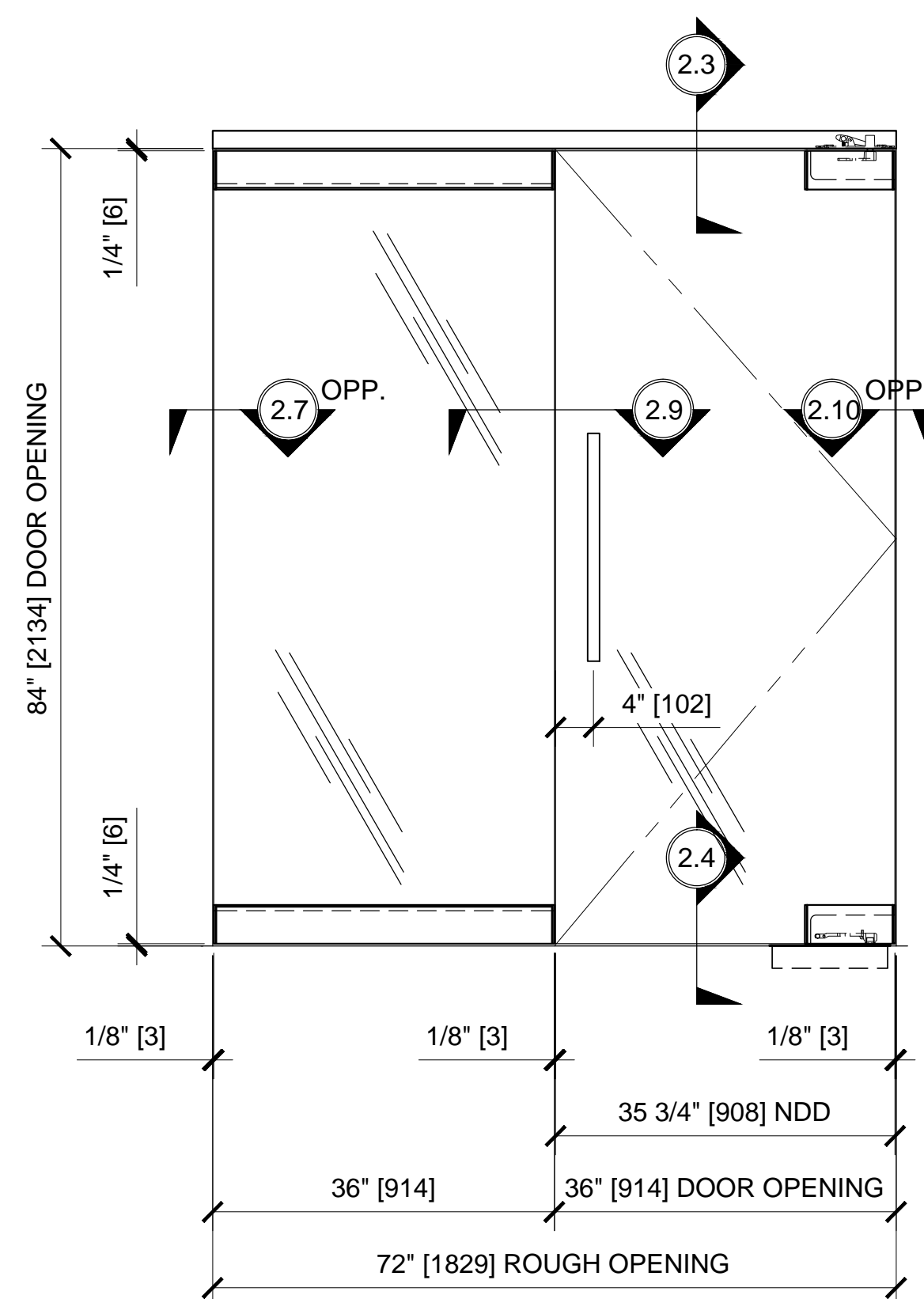
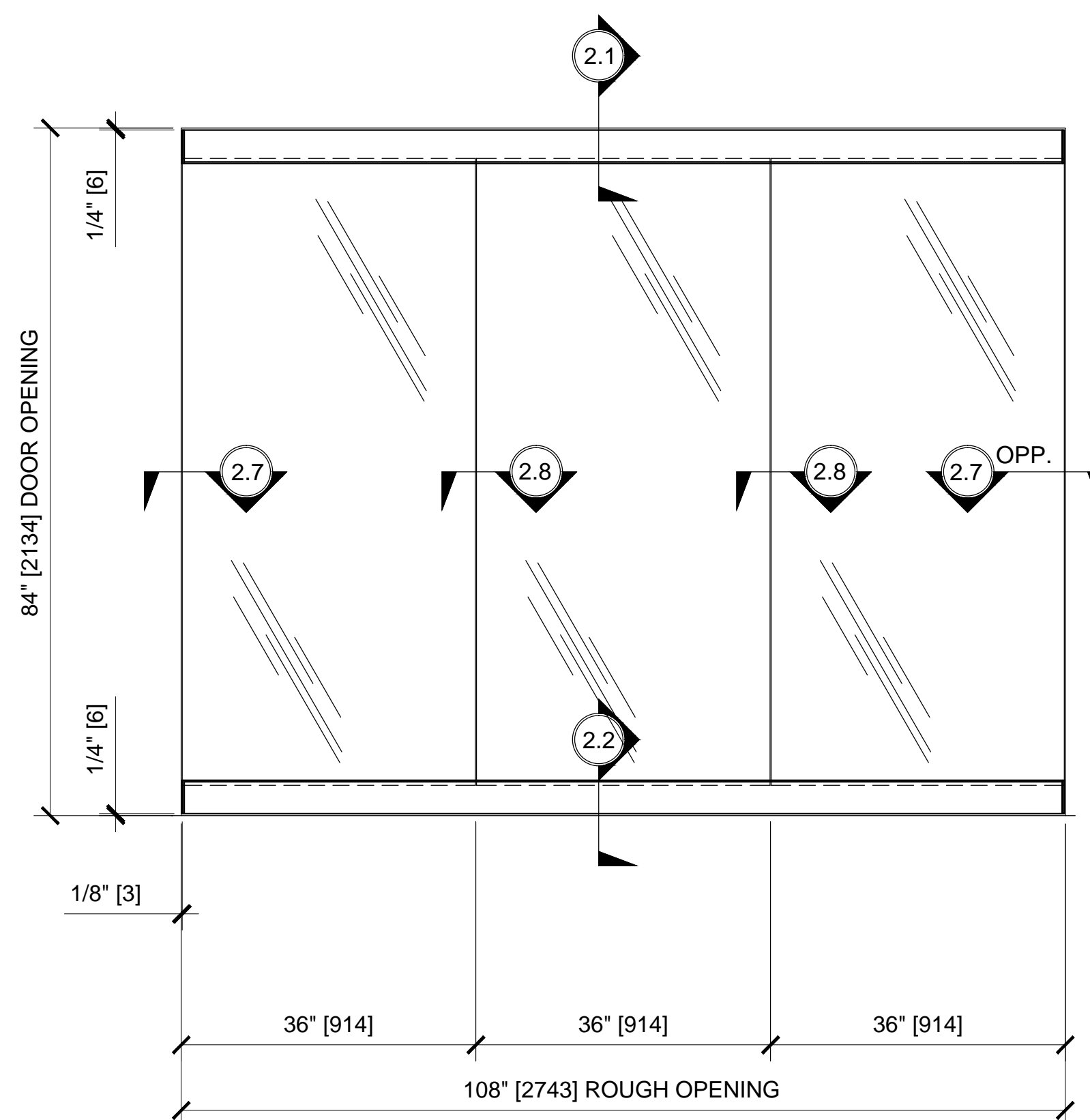
- * EXCLUSIVE CRL WEDGE-LOCK GLASS SECURING SYSTEM FOR RAPID INSTALLATION AND STEADFAST HOLDING POWER
- * DOOR ASSEMBLY CAN BE READY FOR INSTALLATION IN LESS THAN 10 MINUTES
- * UNIVERSAL TOP AND BOTTOM RAILS CUT INVENTORY AND MAKE ORDERING EASIER
- * DRY GLAZING ALLOWS FOR FIELD REPLACEMENT

- * ALLOWS JAMB ALIGNMENT WITHOUT REMOVING THE DOOR
- * INTERNAL COMPONENTS DO NOT REQUIRE REMOVAL BEFORE INSTALLATION
- * RIGID SINGLE COMPONENT HOUSING WILL NOT SHIFT OR FALL OUT OF ADJUSTMENT
- * GLASS SECURING PADS ARE DESIGNED FOR LONGEVITY IN EXTREME ENVIRONMENTS

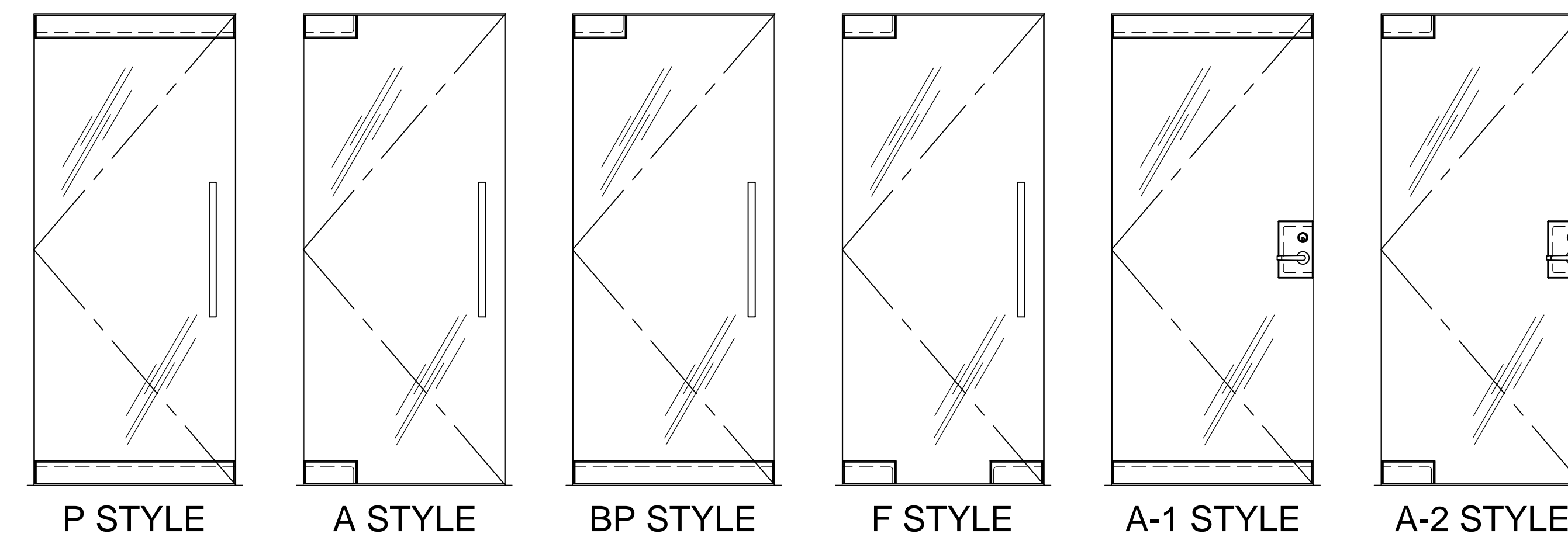
*SIDELIGHT RAILS ARE AVAILABLE IN FIVE STYLES IN UP TO ELEVEN ARCHITECTURAL FINISHES



TYPICAL HURCULITE WEDGE-LOCK GLASS DOOR ELEVATIONS

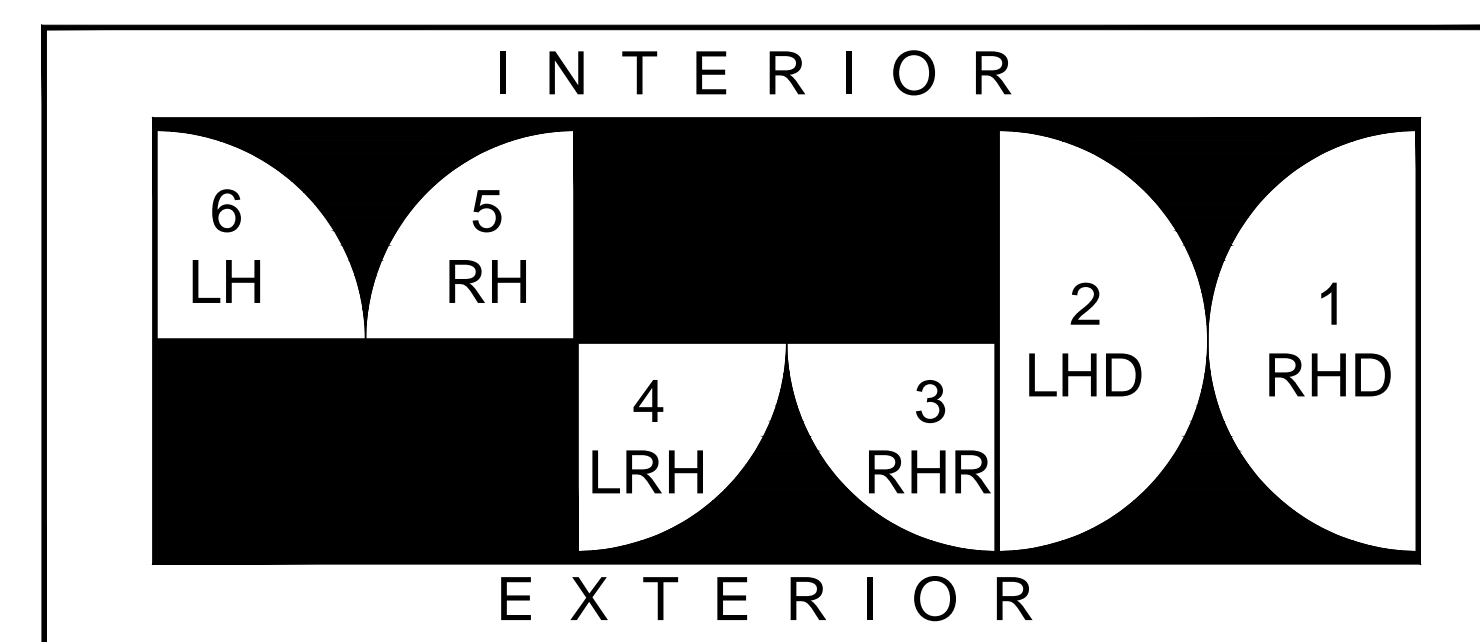


TYPICAL SIDELITE ELEVATIONS



TYPICAL HURCULITE WEDGE-LOCK DOOR STYLES

DOOR SWING CHART



"INDUSTRY STANDARD" DOOR STYLES AND SWINGING DOOR PATTERNS

THERE ARE SIX BASIC "ALL-GLASS" DOOR STYLES TYPICALLY REFERRED TO THROUGHOUT THE INDUSTRY. BY IDENTIFYING YOUR BASIC DOOR STYLE AND SWING, IT WILL HELP MAKE CLEAR WHAT YOUR INTENTIONS ARE FOR THE PARTICULAR PROJECT. FOR MORE INFORMATION, PLEASE CONTACT OUR TECHNICAL SALES DEPARTMENT AT (800) 421-6144 IN THE U.S., (877) 421-6144 IN CANADA, OR (323) 588-1281 INTERNATIONAL. ASK FOR EXT. 7700. YOU CAN SEND E-MAIL THROUGH THE crlaurence.com HOME PAGE. CLICK ON CONTACT US, AND THEN CLICK ON TECHNICAL SALES FOR COMMERCIAL PRODUCTS.

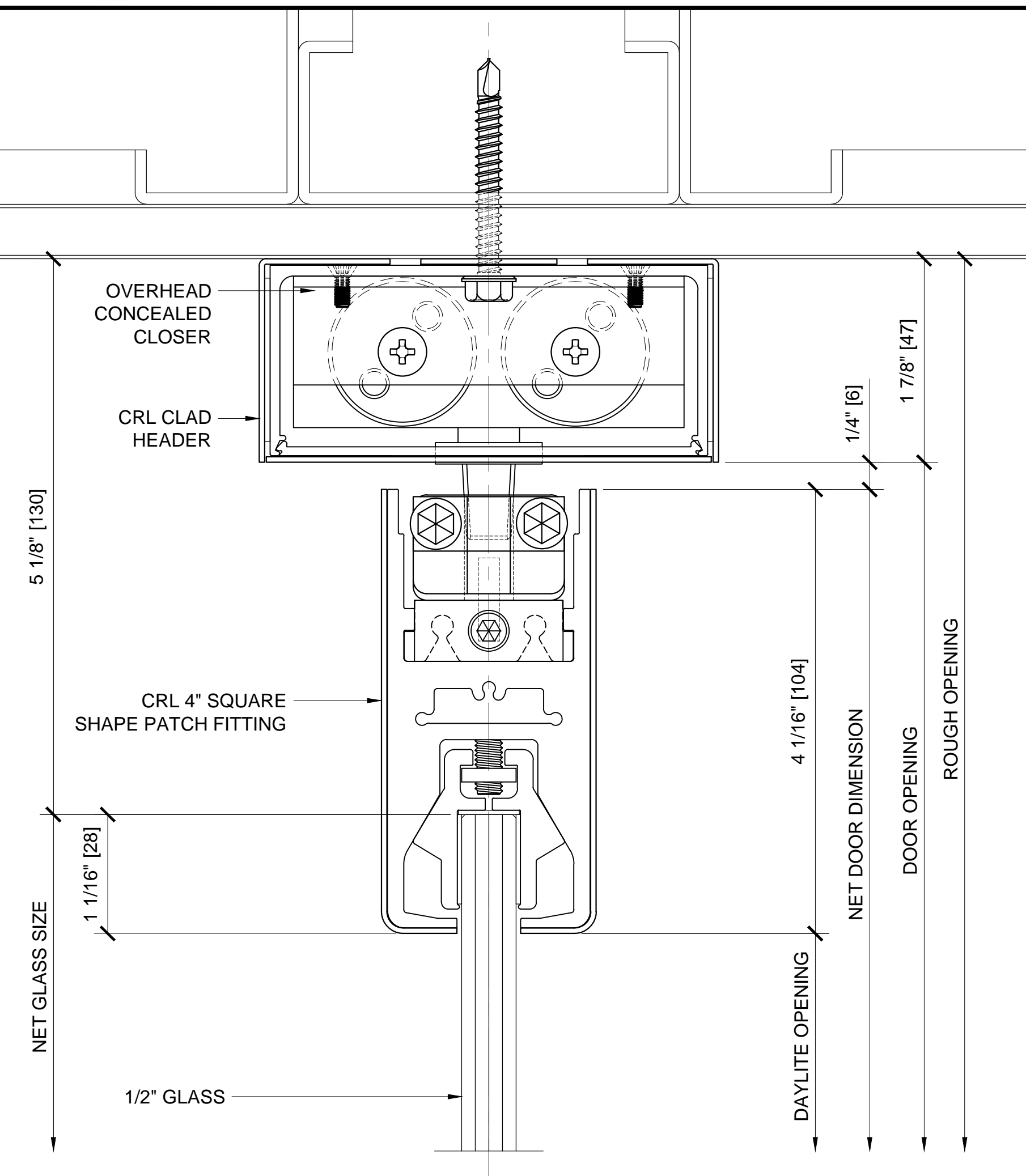
Revisions By:



Discription:
 CRL COMMERCIAL PATCH HARDWARE AND SIDELITES WEDGE LOCK STYLE FOR 3/8"-1/2" GLASS

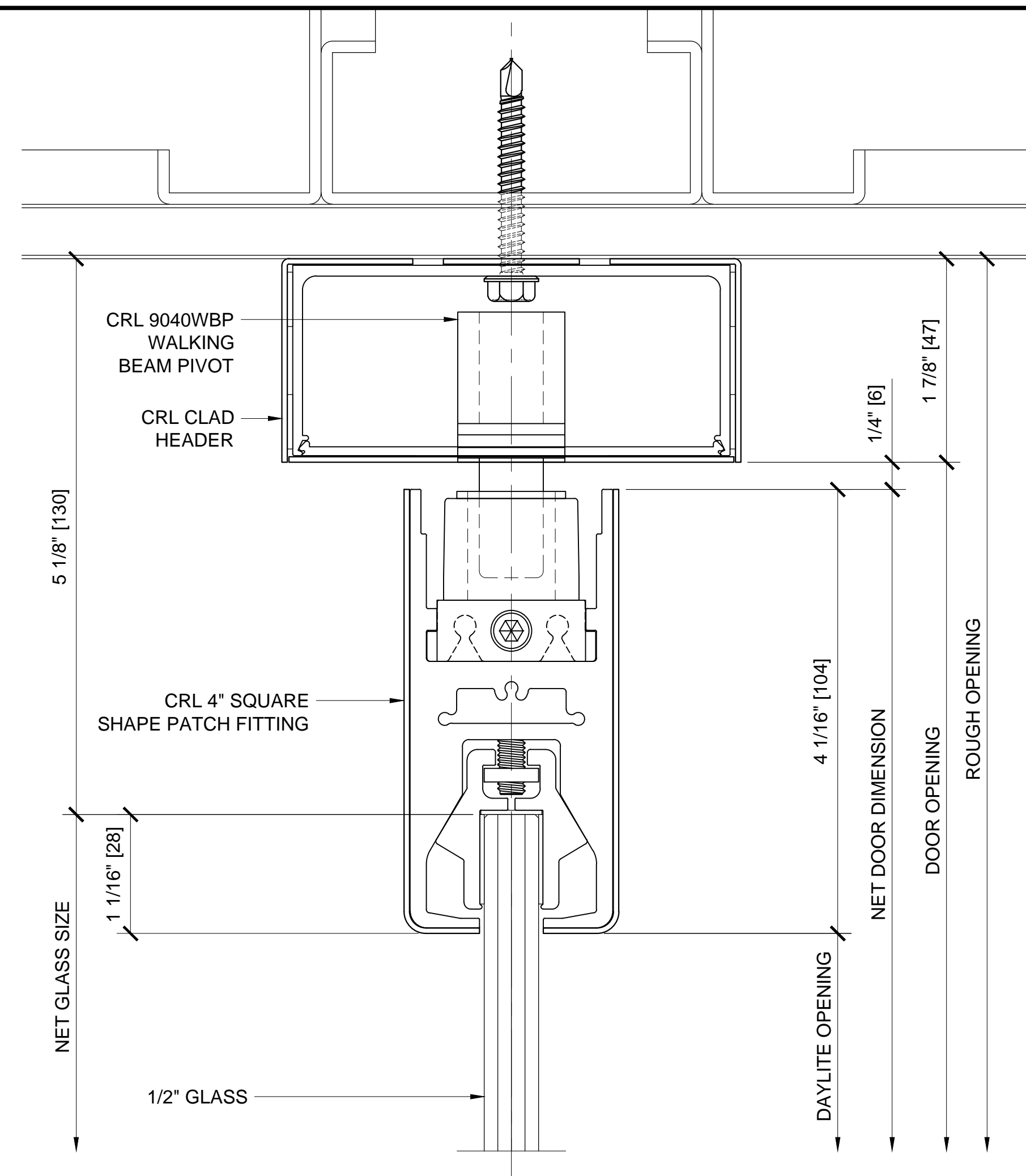
Drawn By: AAD
 Date: 1/3/14
 Scale: 3/4" = 1'-0"
 File Name: PATCH FITTINGS-WL3812.dwg

Sheet



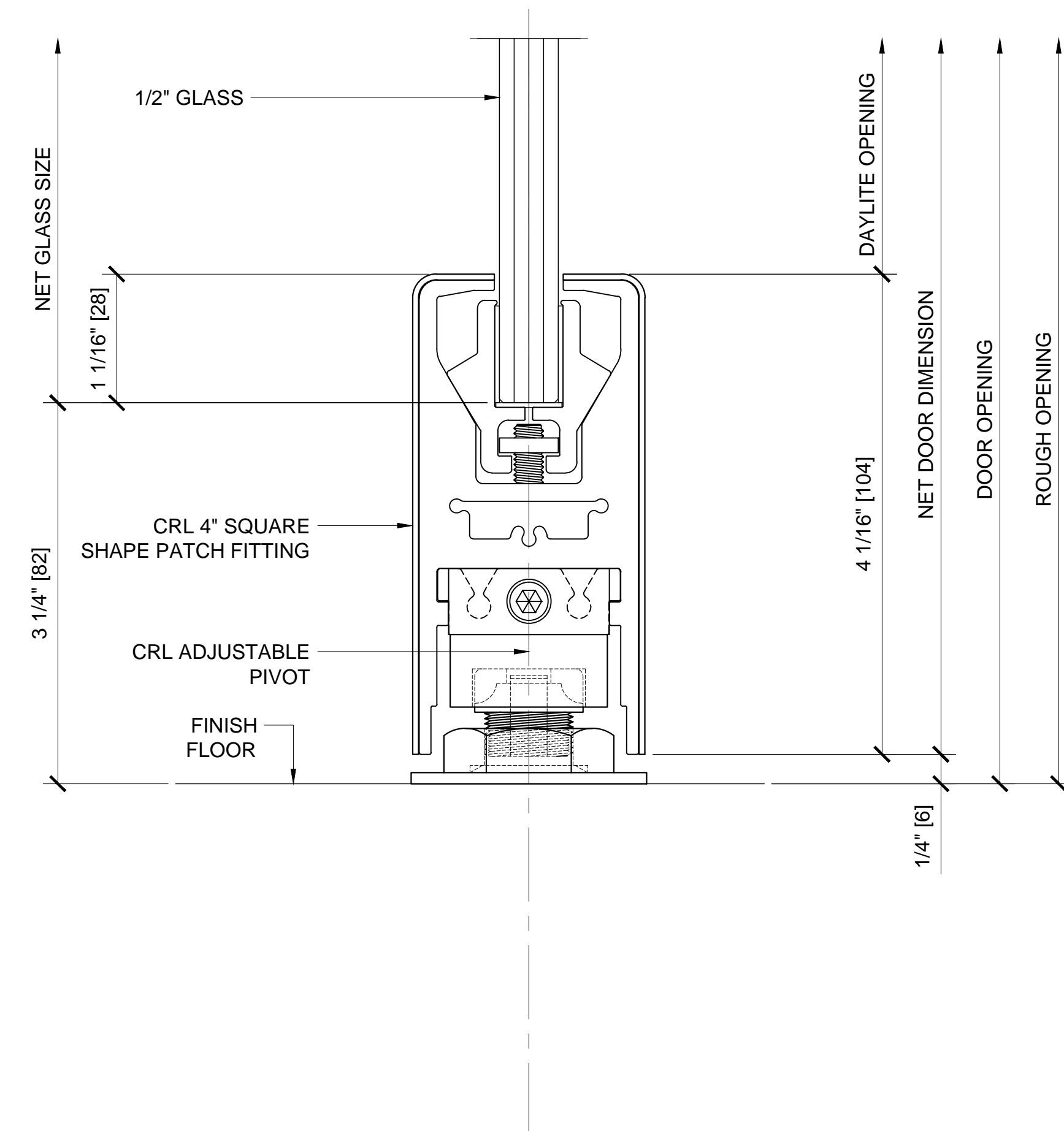
SECTION DETAIL @ HEAD

1.1



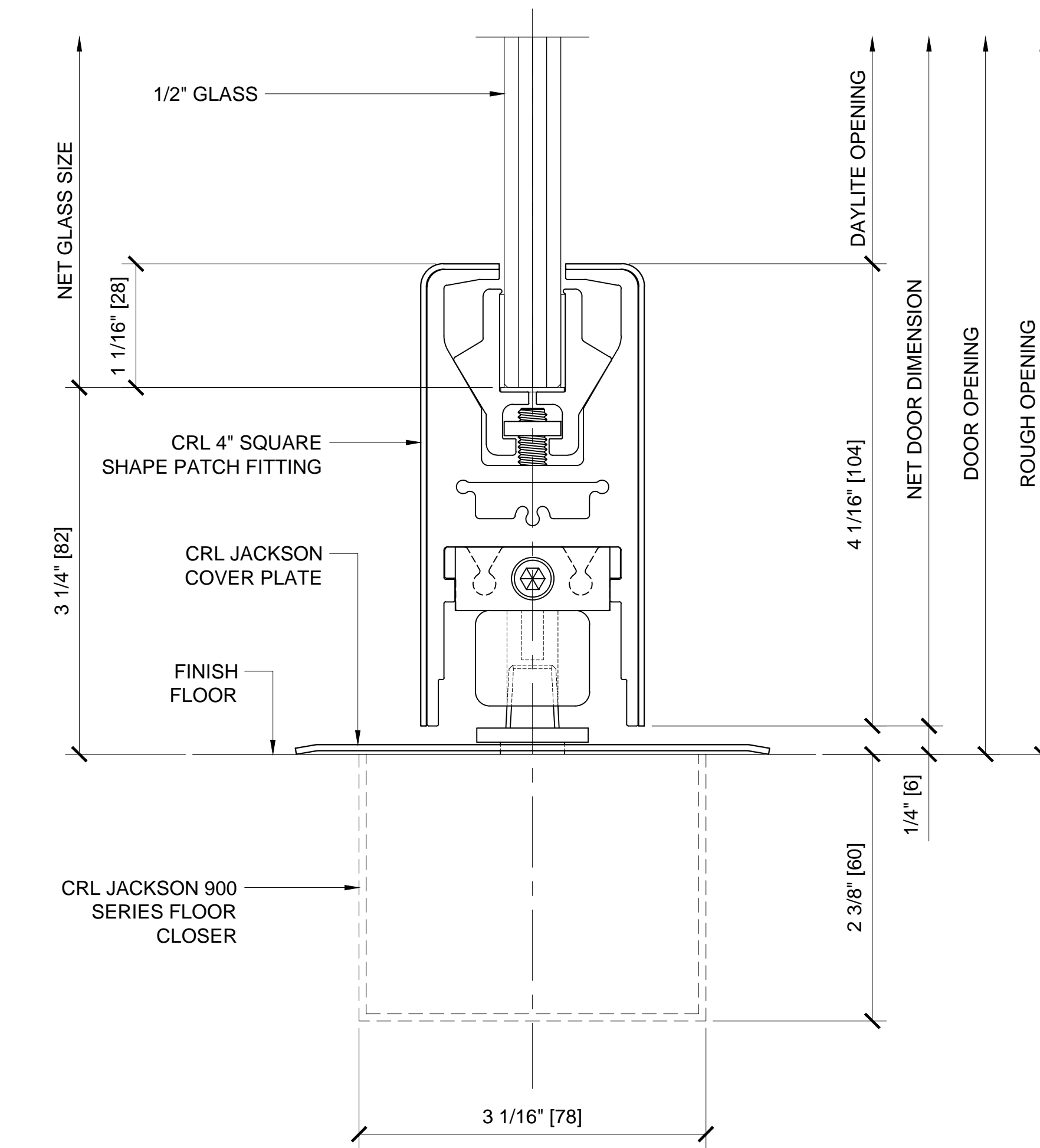
SECTION DETAIL @ HEAD

1.3



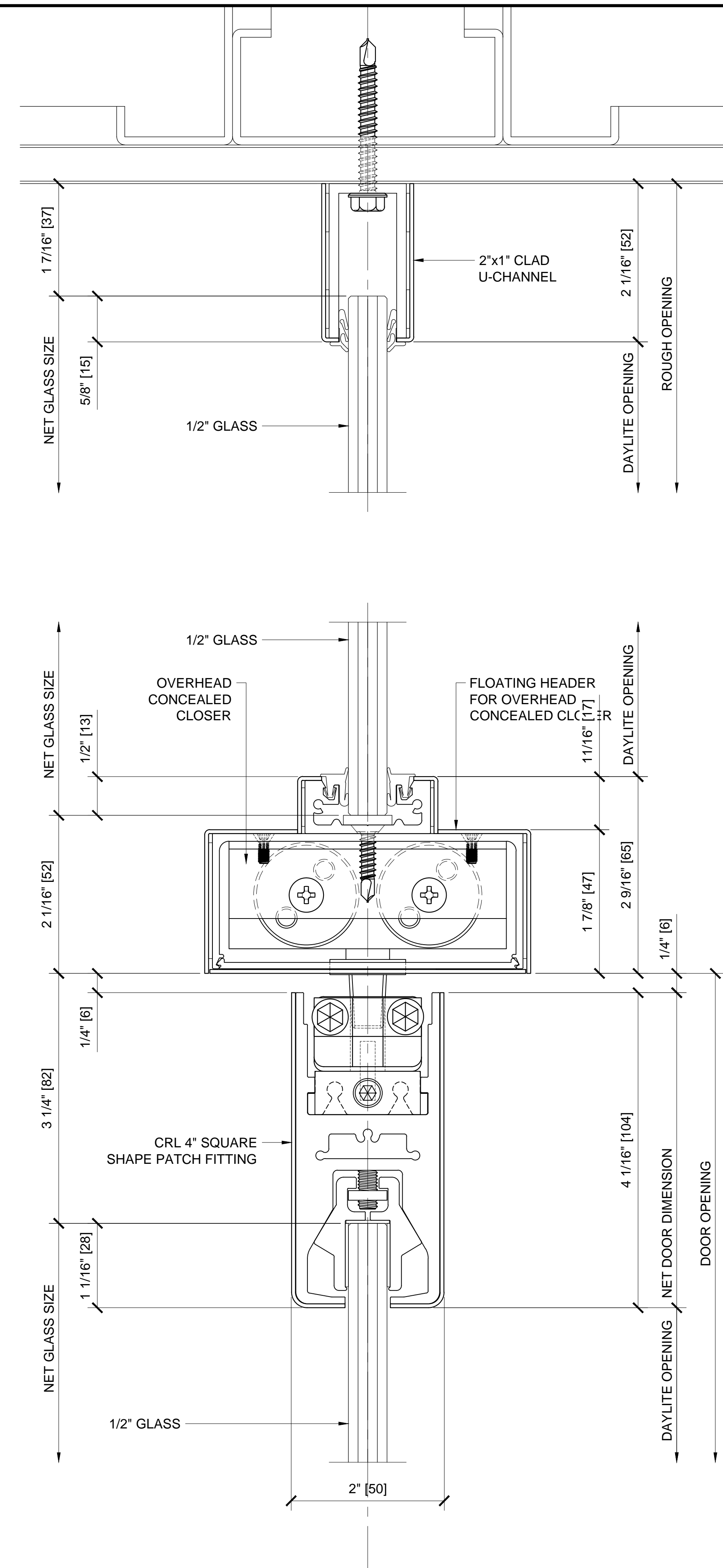
SECTION DETAIL @ SILL

1.2



SECTION DETAIL @ SILL

1.4



SECTION DETAIL @ TRANSOM

1.5

Revisions By:



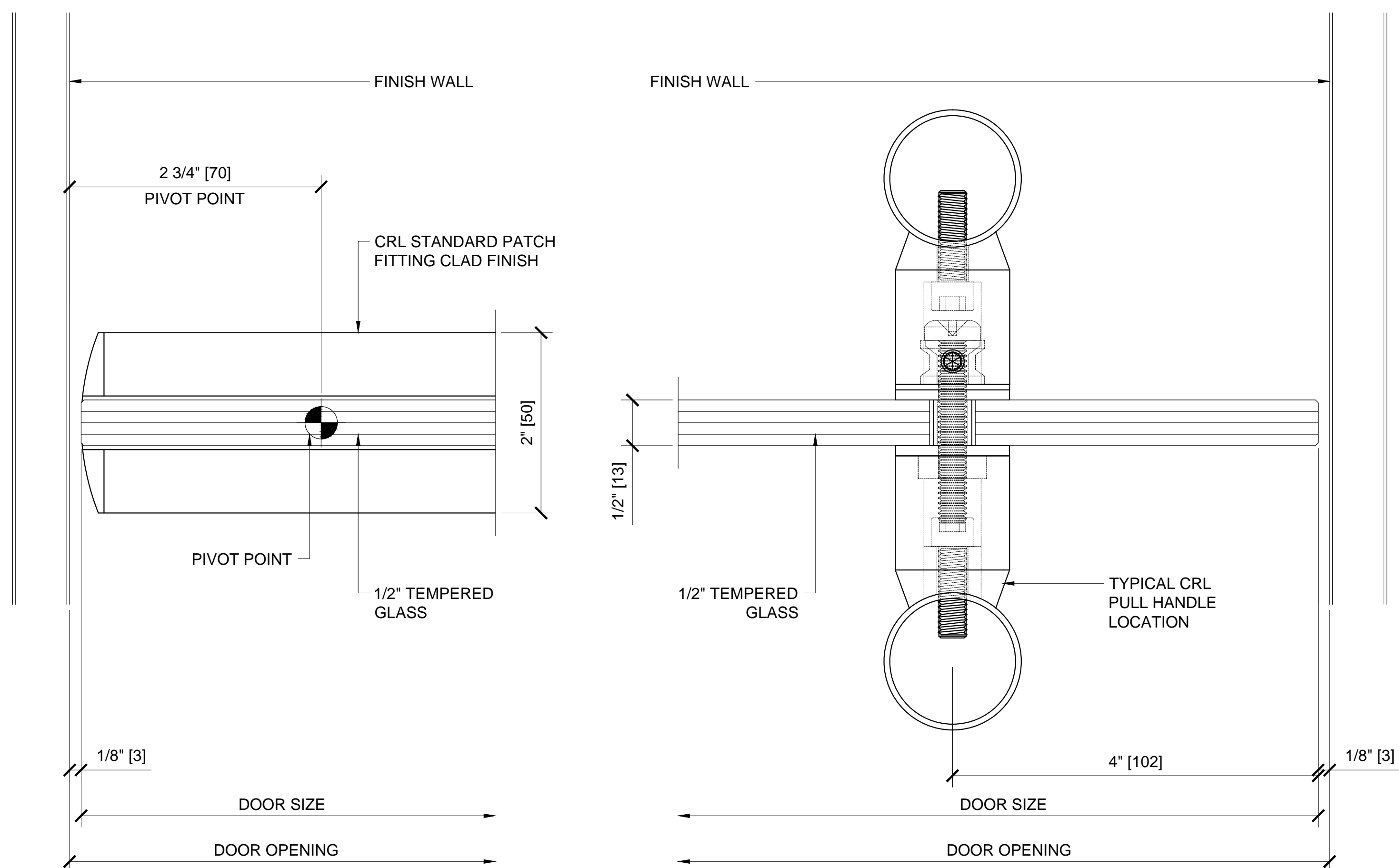
C.R. LAURENCE CO. ARCHITECTURAL PRODUCTS
2503 E. Vernon Avenue, Los Angeles, CA 90058-1897
PH (800)-421-6144 FX (800)-587-7501 www.crlusa.com

Description:
CRL COMMERCIAL PATCH
HARDWARE AND SIDELITES
WEDGE LOCK STYLE
FOR 3/8"-1/2" GLASS

Drawn By: AAD
Date: 1/3/14
Scale: 1'-0" = 1'-0"
File Name: PATCH FITTINGS-WL3812.dwg

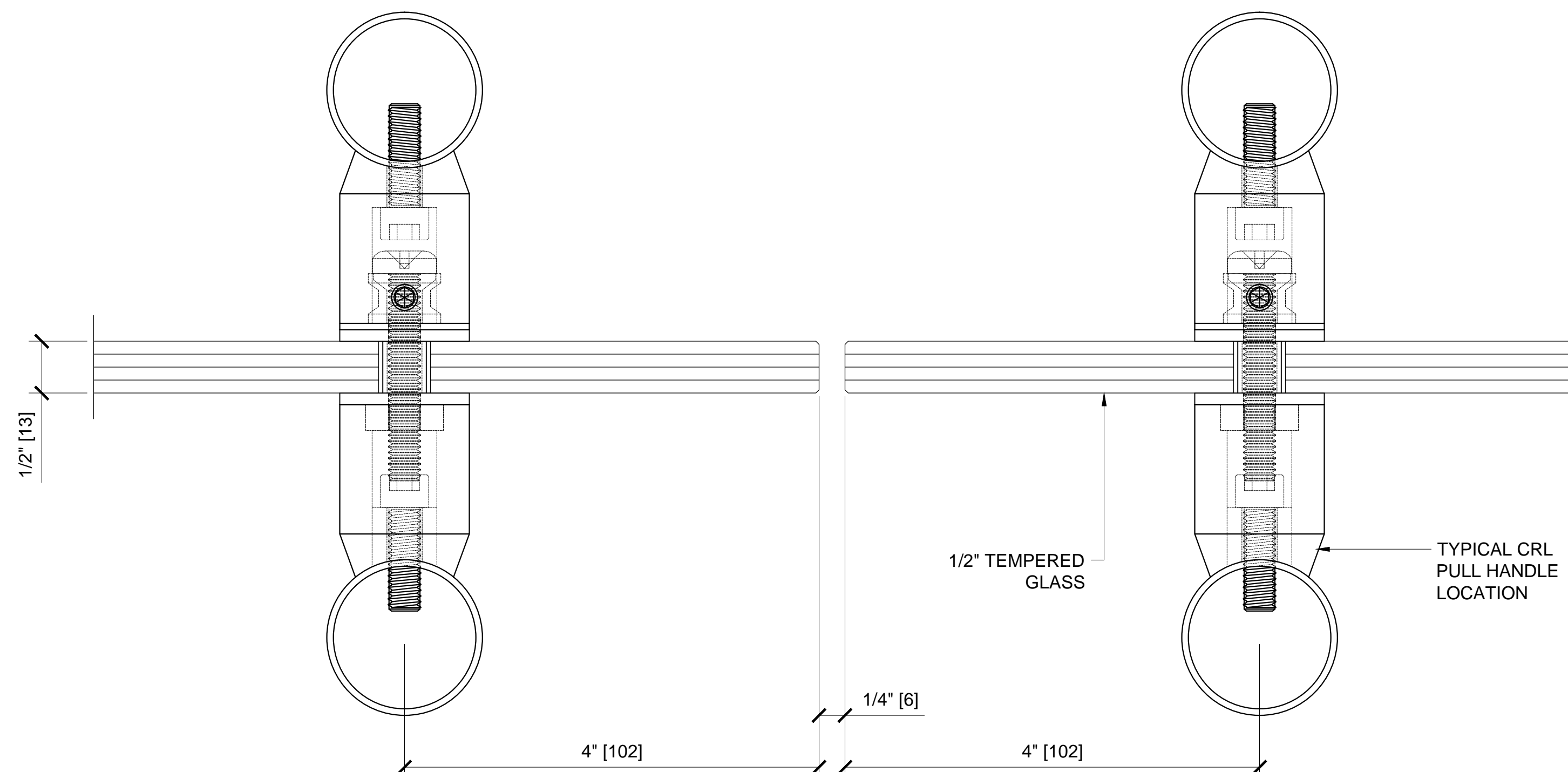
Sheet

2

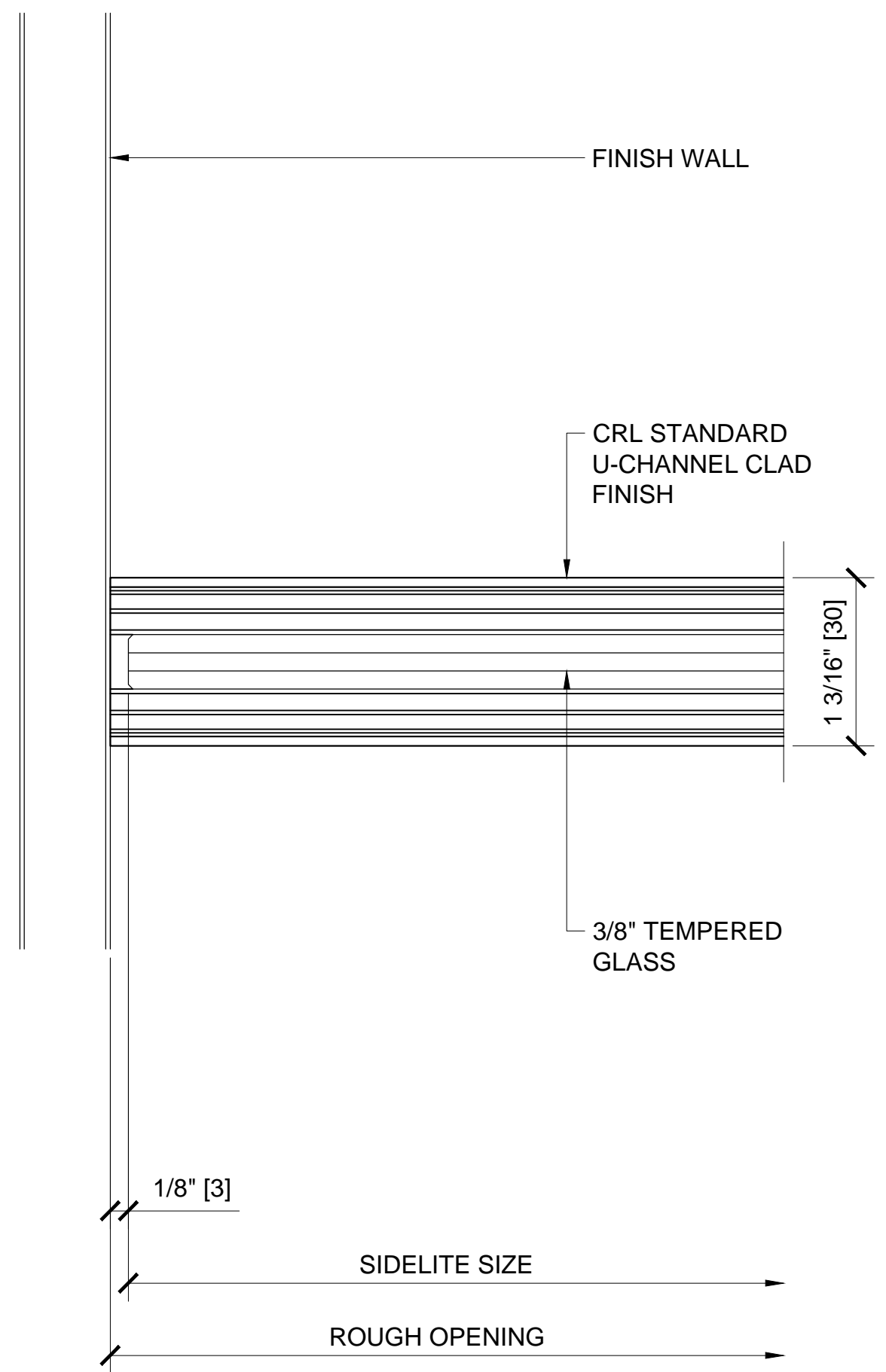


PLAN VIEW @ JAMB 1.6

PLAN VIEW @ JAMB 1.7



PLAN VIEW @ MEETING SECTION 1.8

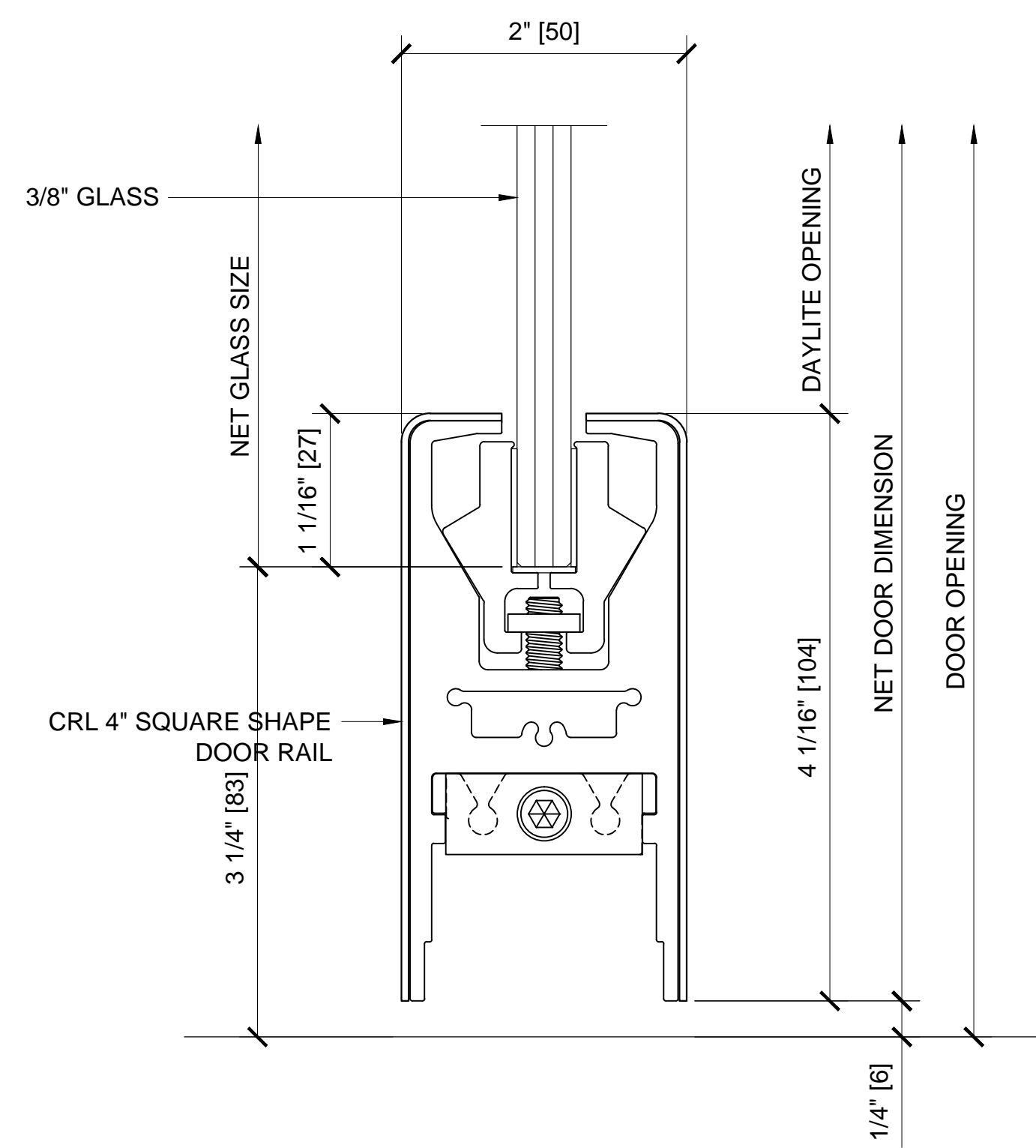
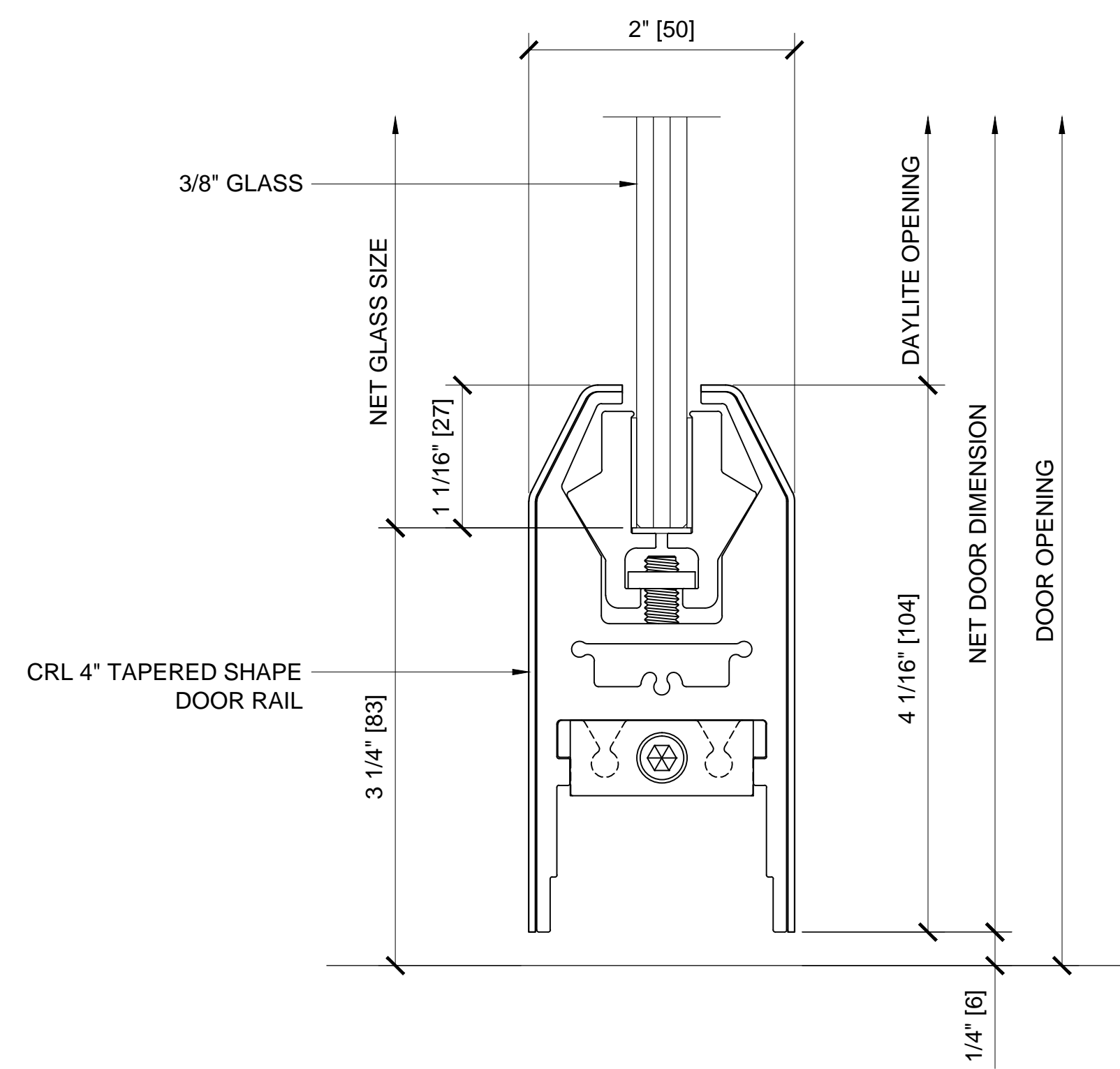
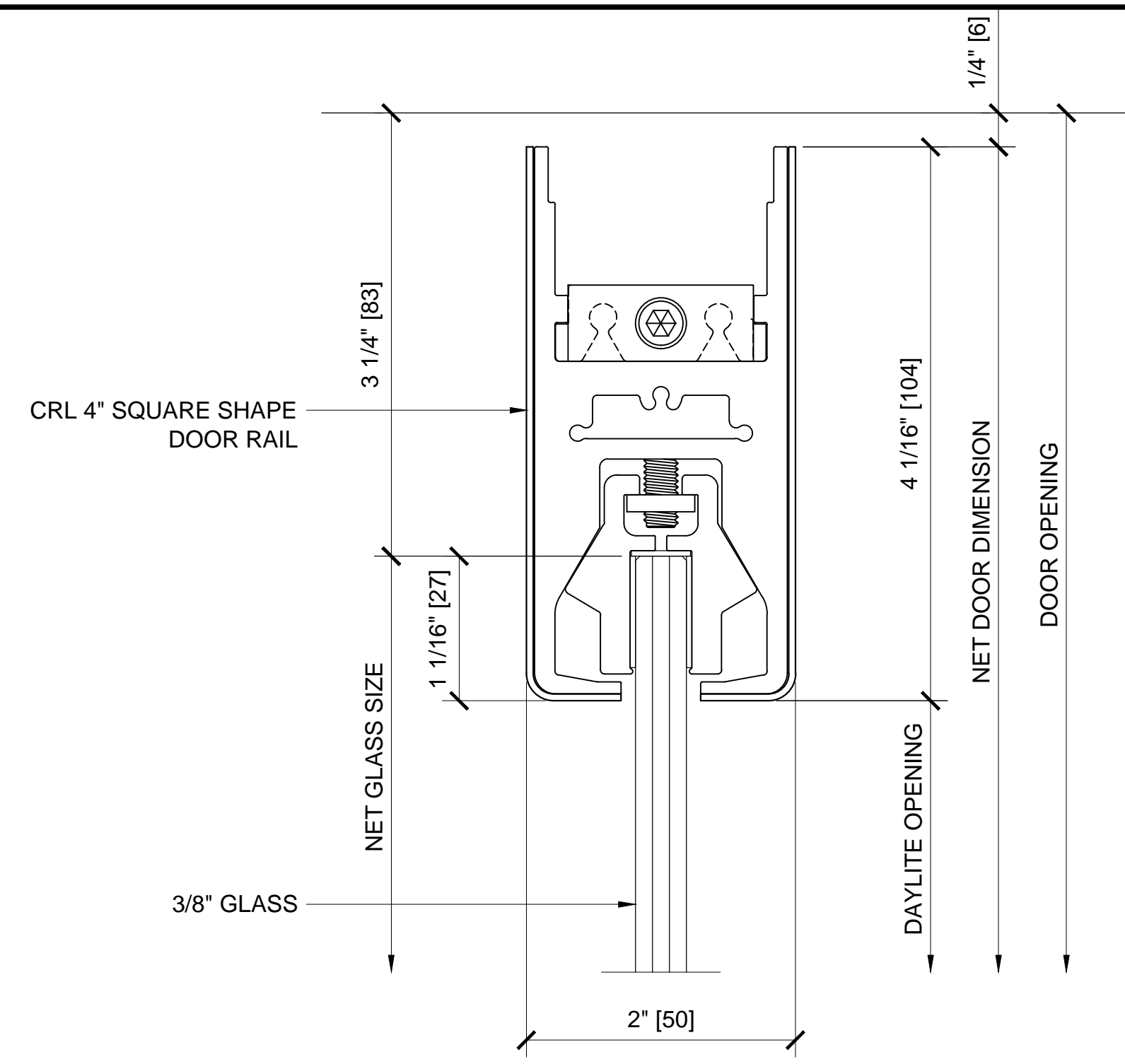
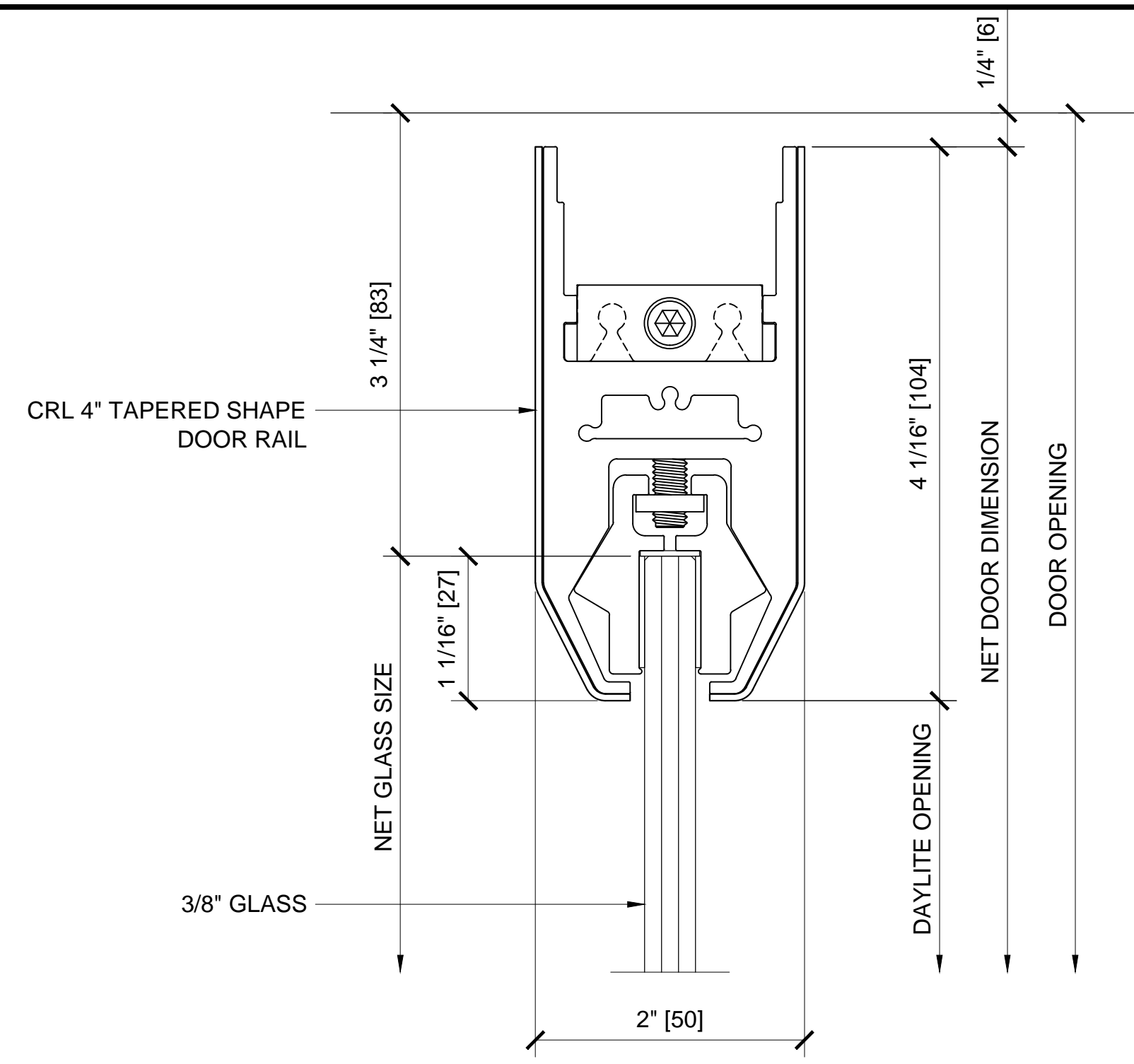


PLAN VIEW @ JAMB 1.9

Description:
 CRL COMMERCIAL PATCH
 HARDWARE AND SIDELITES
 WEDGE LOCK STYLE
 FOR 3/8"-1/2" GLASS

Drawn By: AAD
 Date: 1/3/14
 Scale: 1'-0" = 1'-0"
 File Name:
 PATCH FITTINGS-WL3812.dwg

Sheet



CRL DR4T38 4" TALL TAPERED DOOR RAIL

CRL DR4S38 4" TALL SQUARE DOOR RAIL

STANDARD WEDGE-LOCK DOOR RAILS FOR 3/8" GLASS

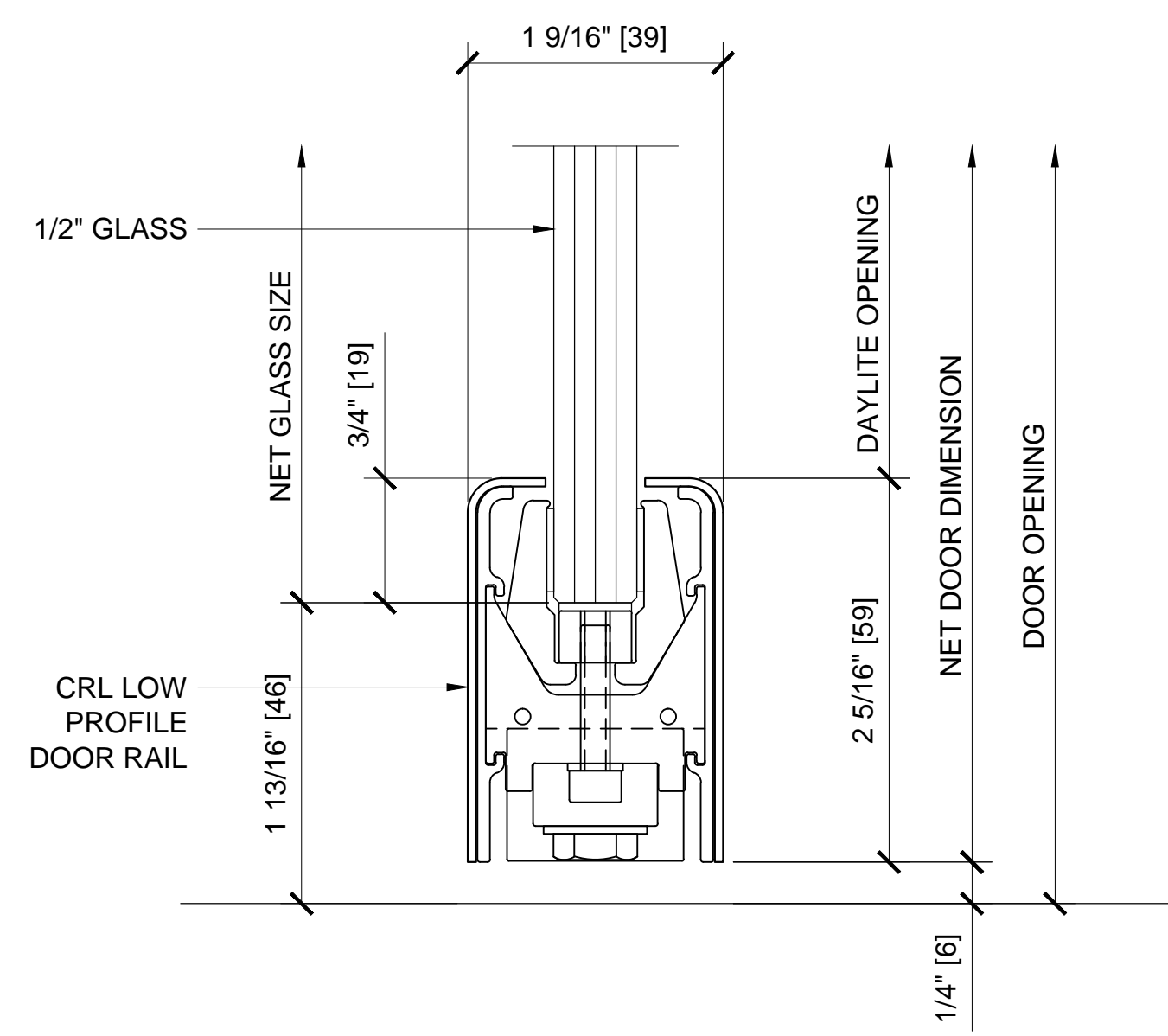
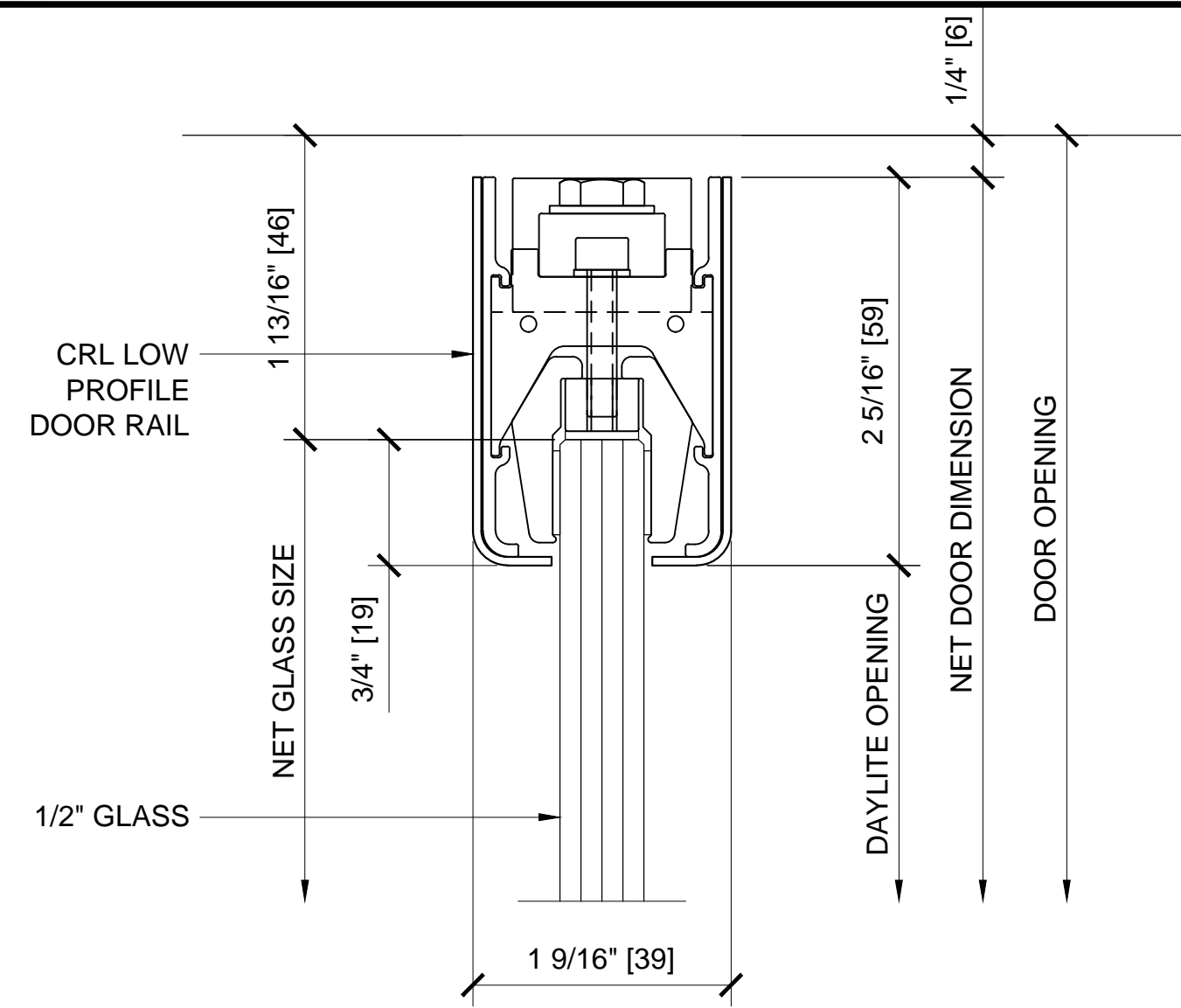
Revisions By:



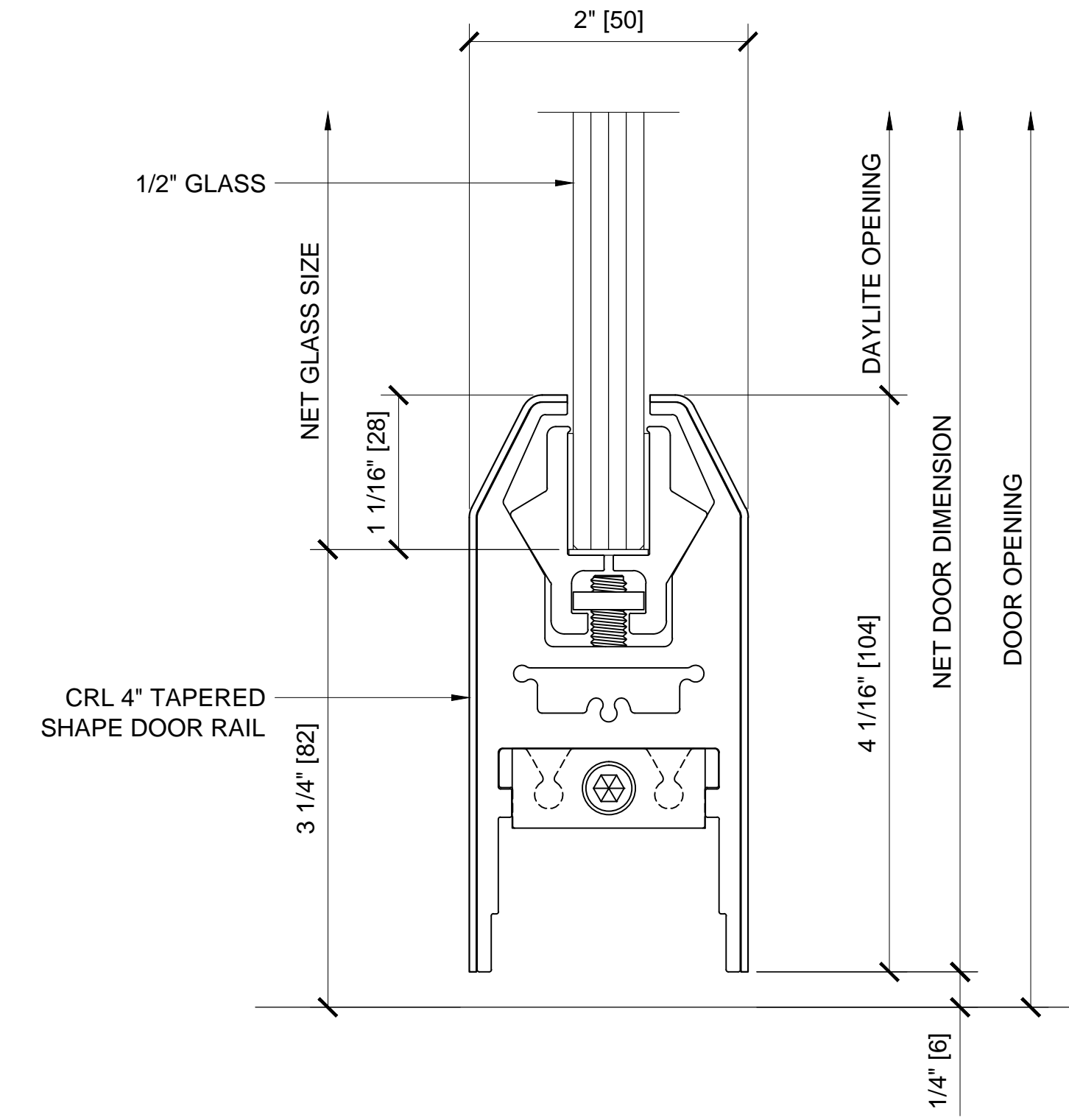
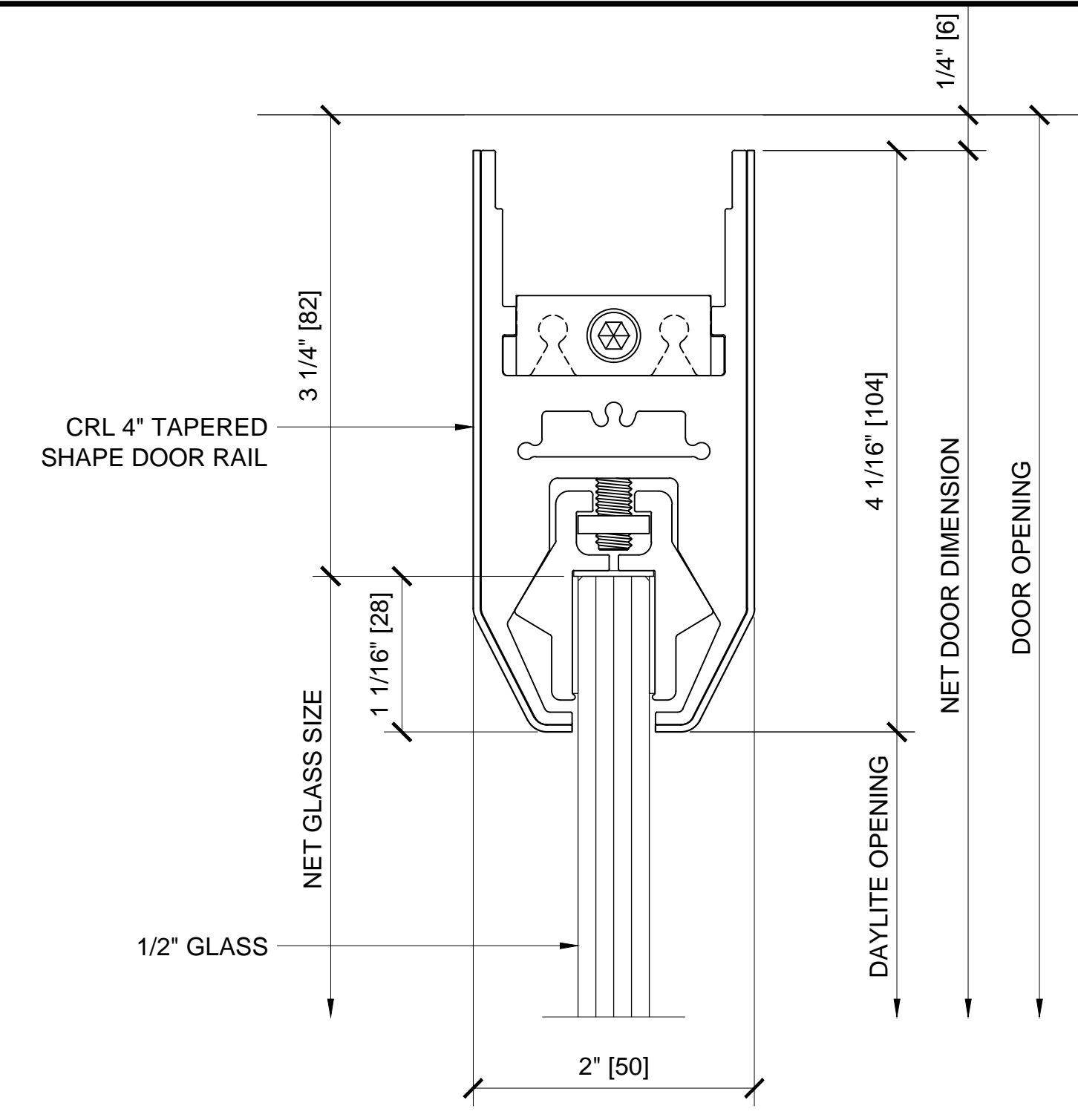
Description:
**CRL COMMERCIAL PATCH
 HARDWARE AND SIDELITES
 WEDGE LOCK STYLE
 FOR 3/8"-1/2" GLASS**

Drawn By: AAD
 Date: 1/3/14
 Scale: 1'-0" = 1'-0"
 File Name:
 PATCH FITTINGS-WL3812.dwg

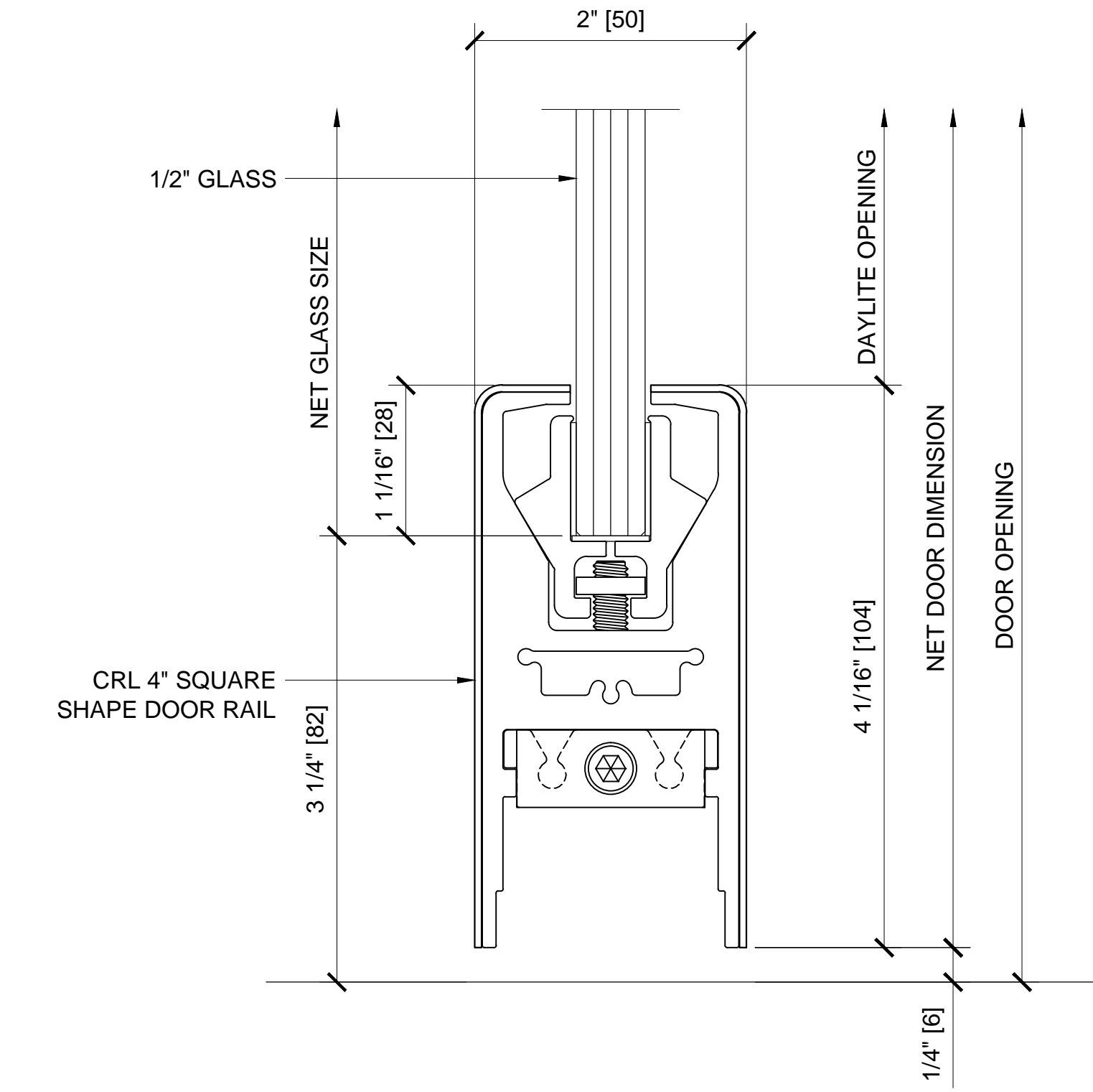
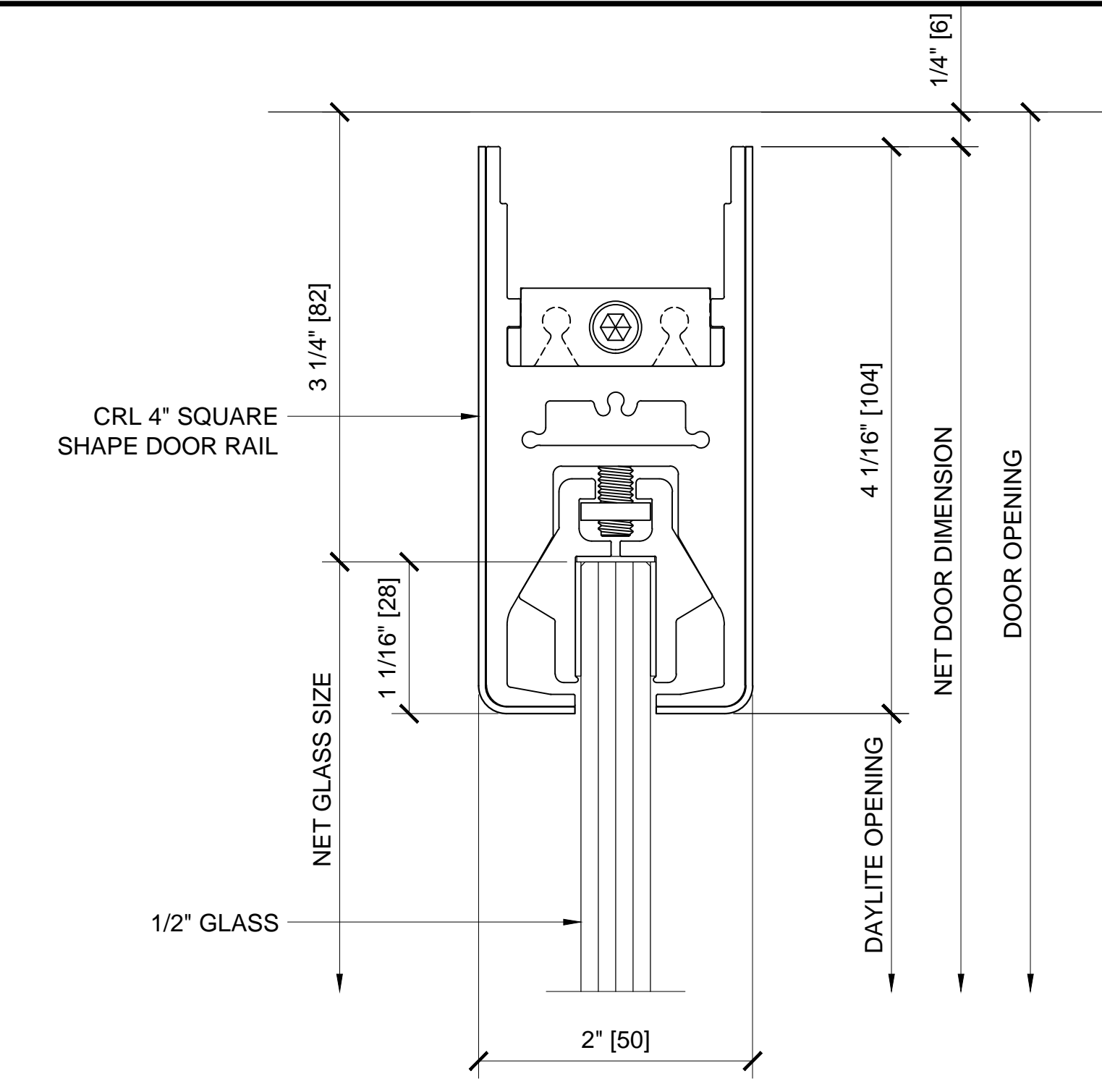
Sheet



CRL DR2S12 LOW PROFILE DOOR RAIL



CRL DR4T12 4" TALL TAPERED DOOR RAIL



CRL DR4S12 4" TALL SQUARE DOOR RAIL

STANDARD WEDGE-LOCK DOOR RAILS FOR 1/2" GLASS

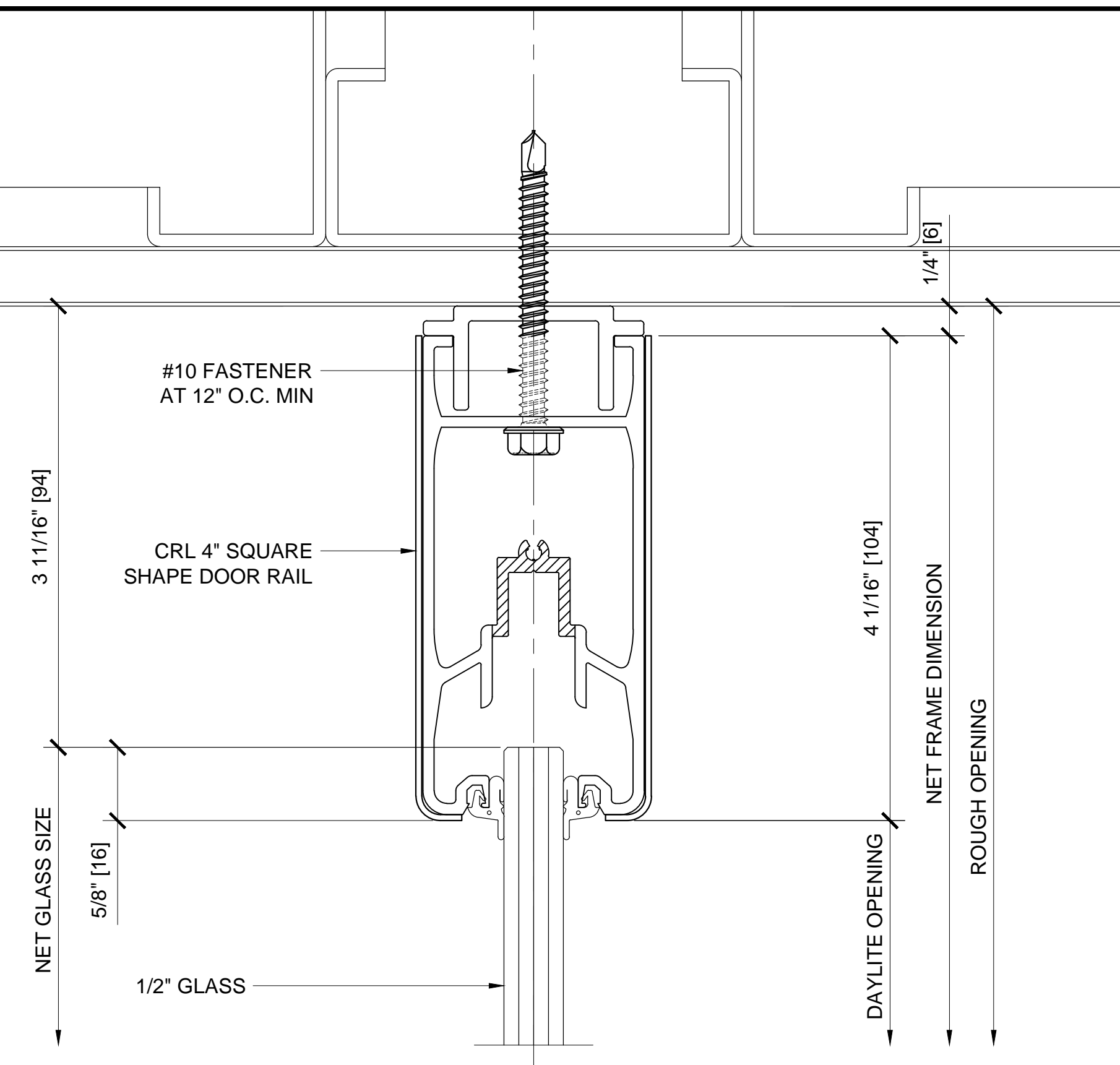
Revisions By:



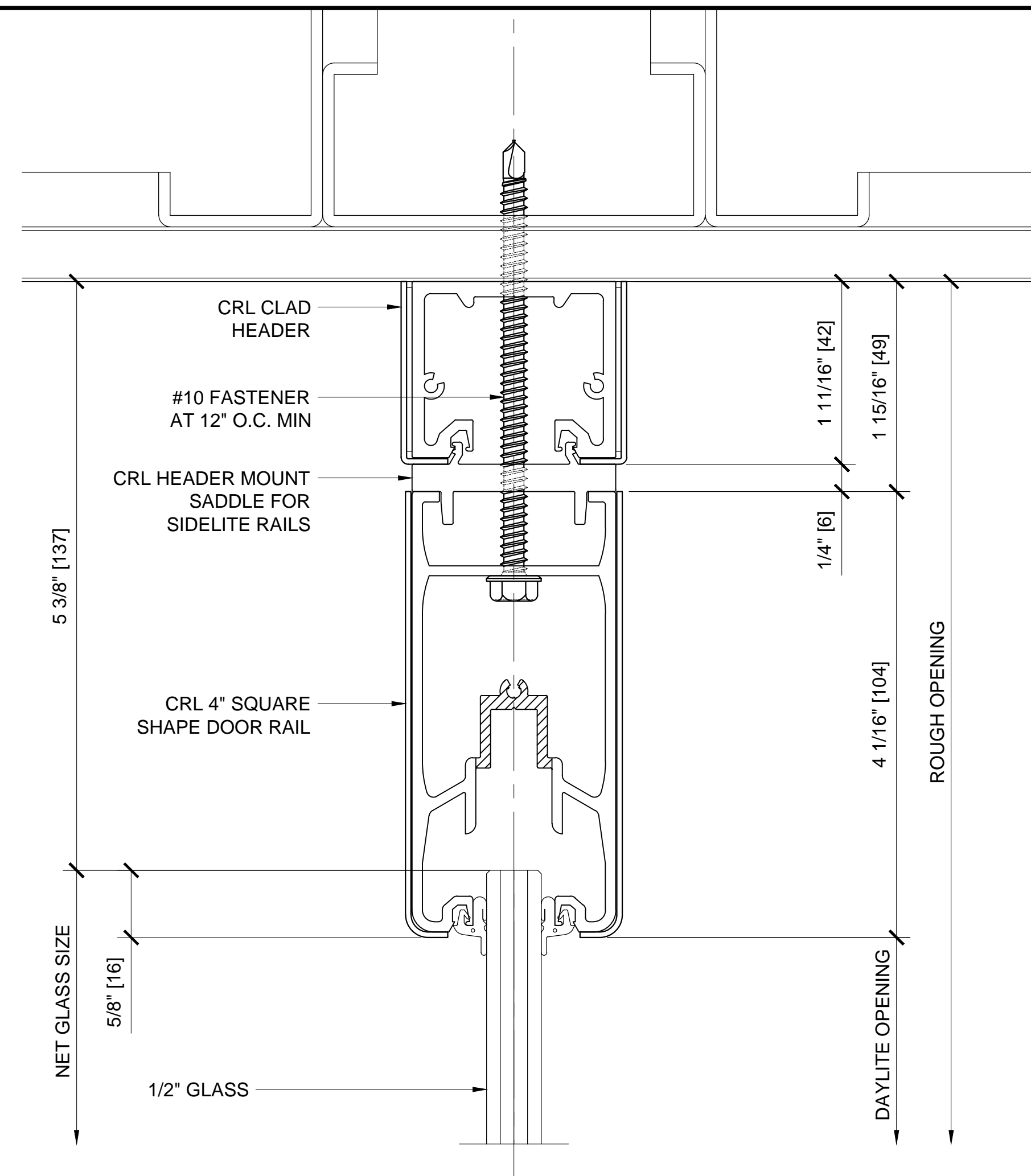
Description:
**CRL COMMERCIAL PATCH
 HARDWARE AND SIDELITES
 WEDGE LOCK STYLE
 FOR 3/8"-1/2" GLASS**

Drawn By: AAD
 Date: 1/3/14
 Scale: 1'-0"=1'-0"
 File Name:
 PATCH FITTINGS-WL3812.dwg

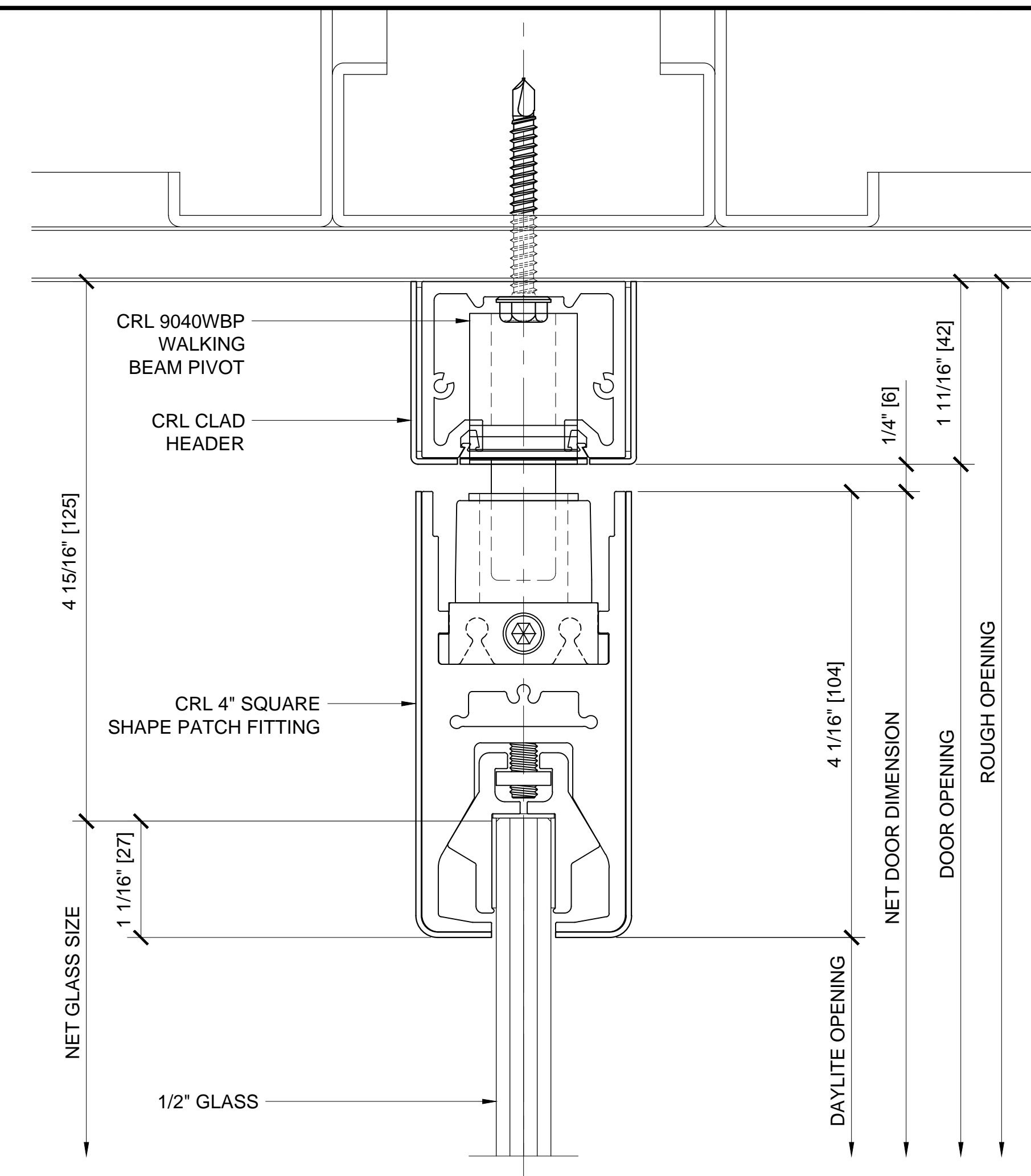
Sheet



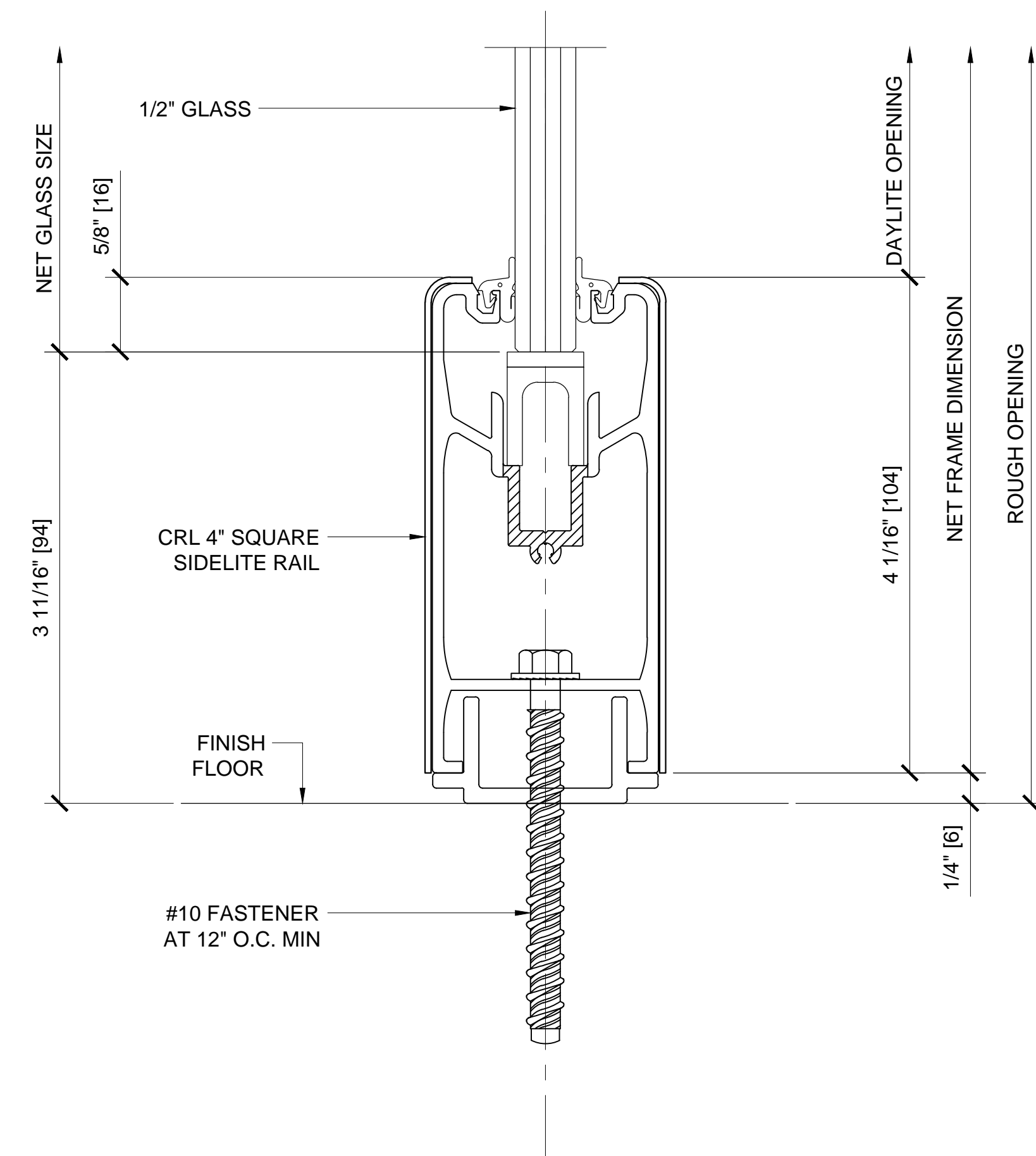
TYPICAL SECTION DETAIL @ HEAD (2.1)



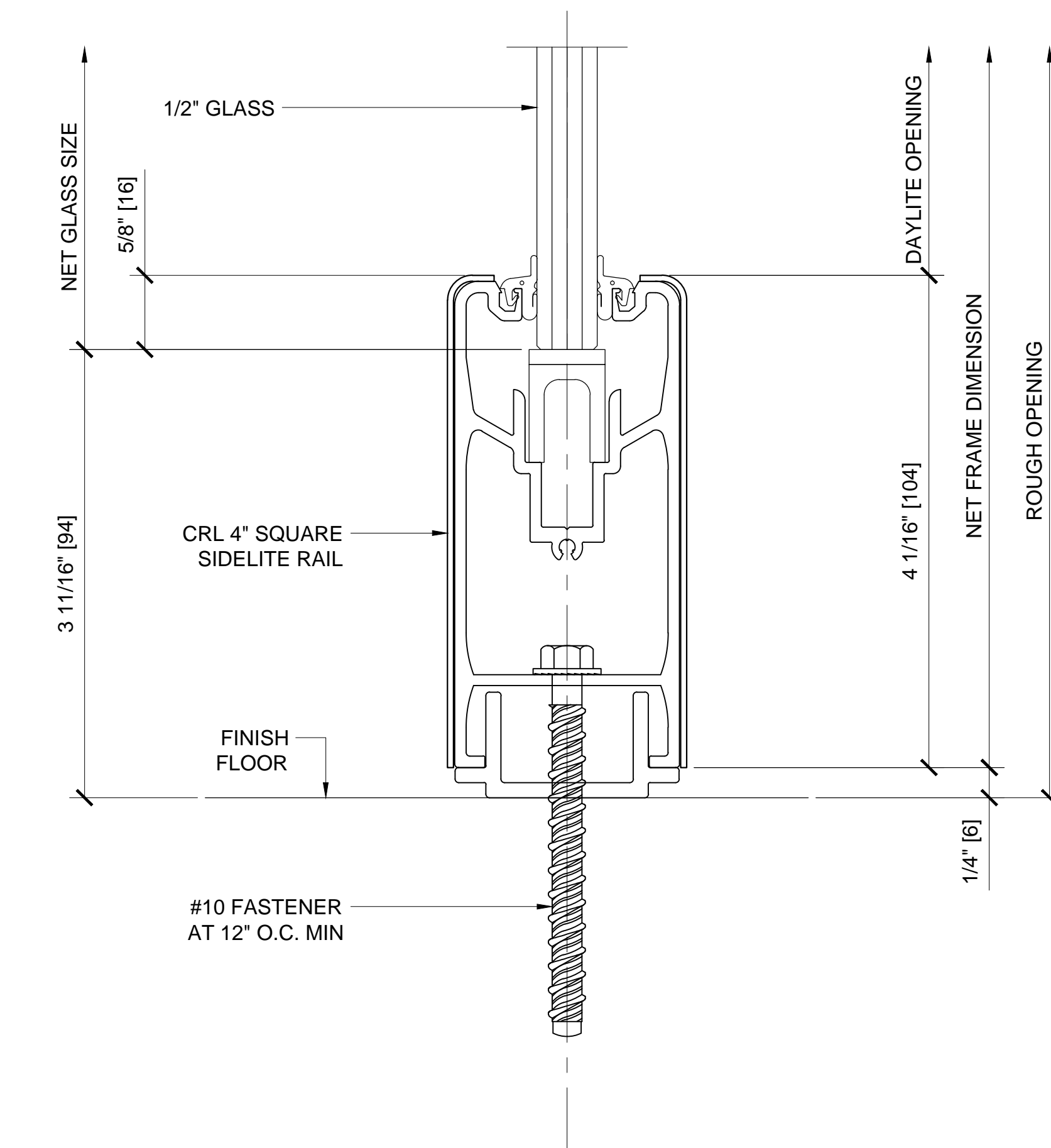
SECTION DETAIL @ HEAD (MATCHES DOOR) (2.3)



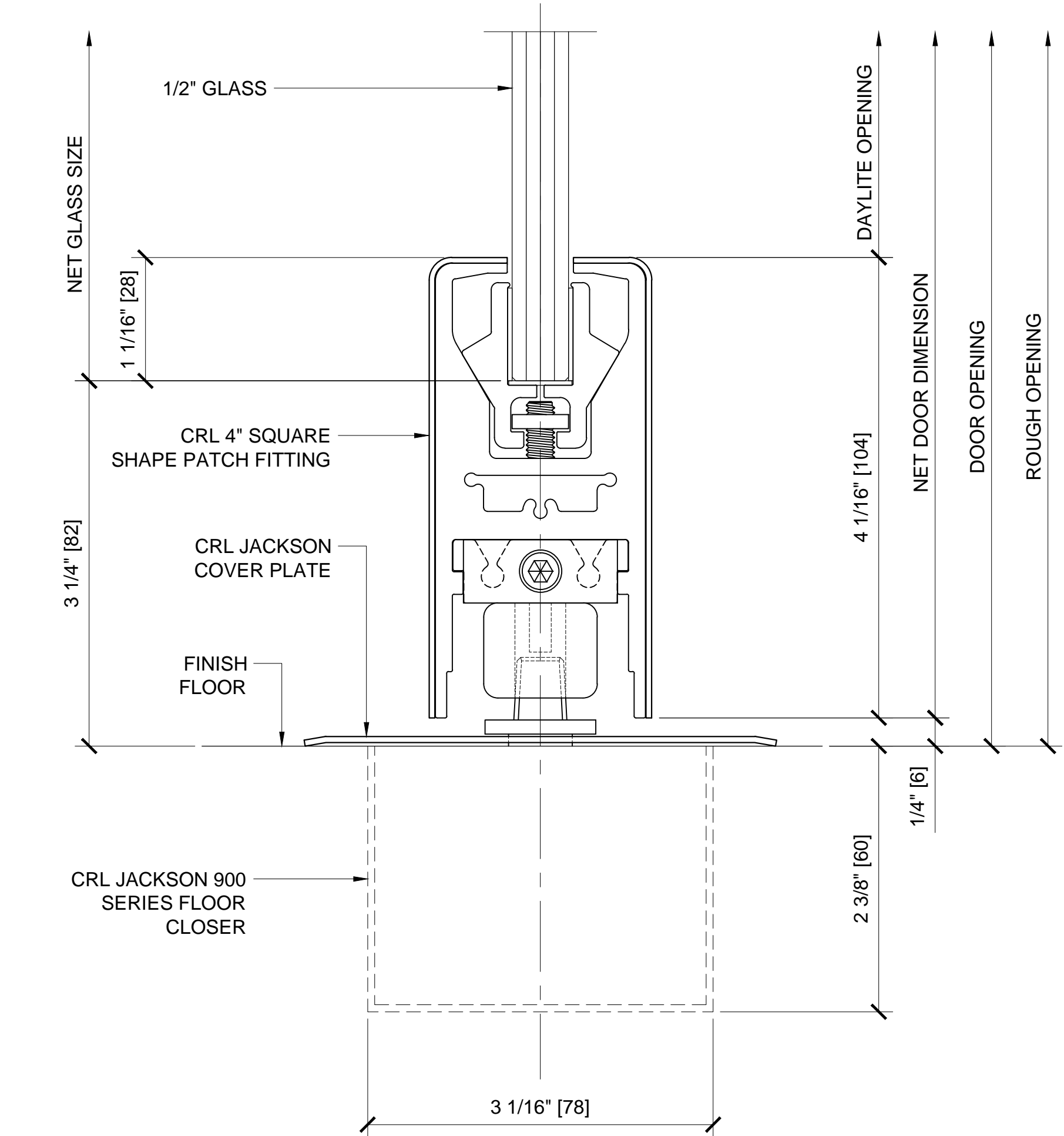
SECTION DETAIL @ DOOR HEAD (2.5)



TYPICAL SECTION DETAIL @ SILL (2.2)



SECTION DETAIL @ SILL (MATCHES DOOR) (2.4)



SECTION DETAIL @ DOOR SILL (2.6)

Revisions By:



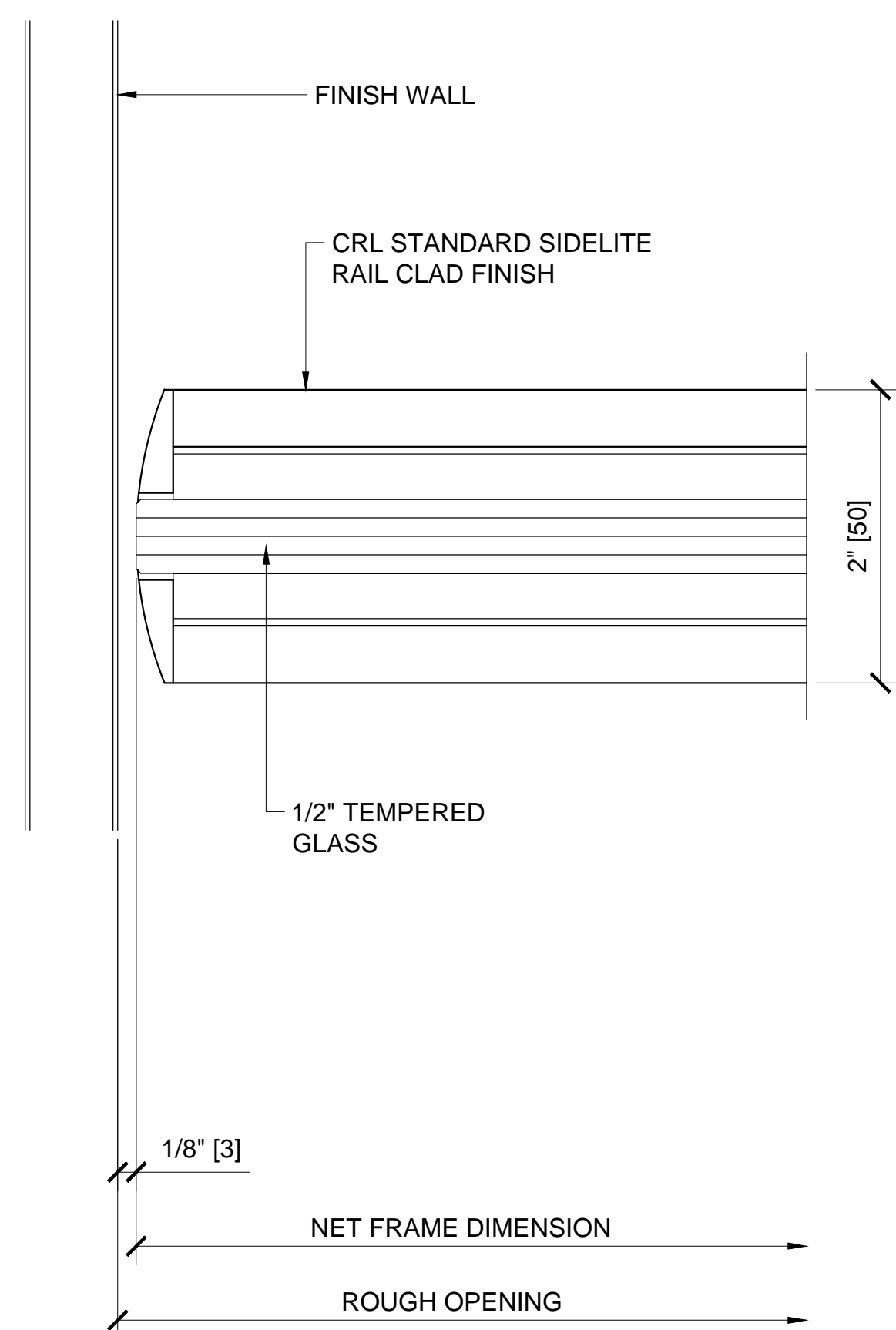
C.R. LAURENCE CO. ARCHITECTURAL PRODUCTS
2503 E. Vernon Avenue, Los Angeles, CA 90058-1897
PH (800)-421-6144 FX: 800-587-7501 www.crlaluminum.com

Description:
CRL COMMERCIAL PATCH
HARDWARE AND SIDELITES
WEDGE LOCK STYLE
FOR 3/8"-1/2" GLASS

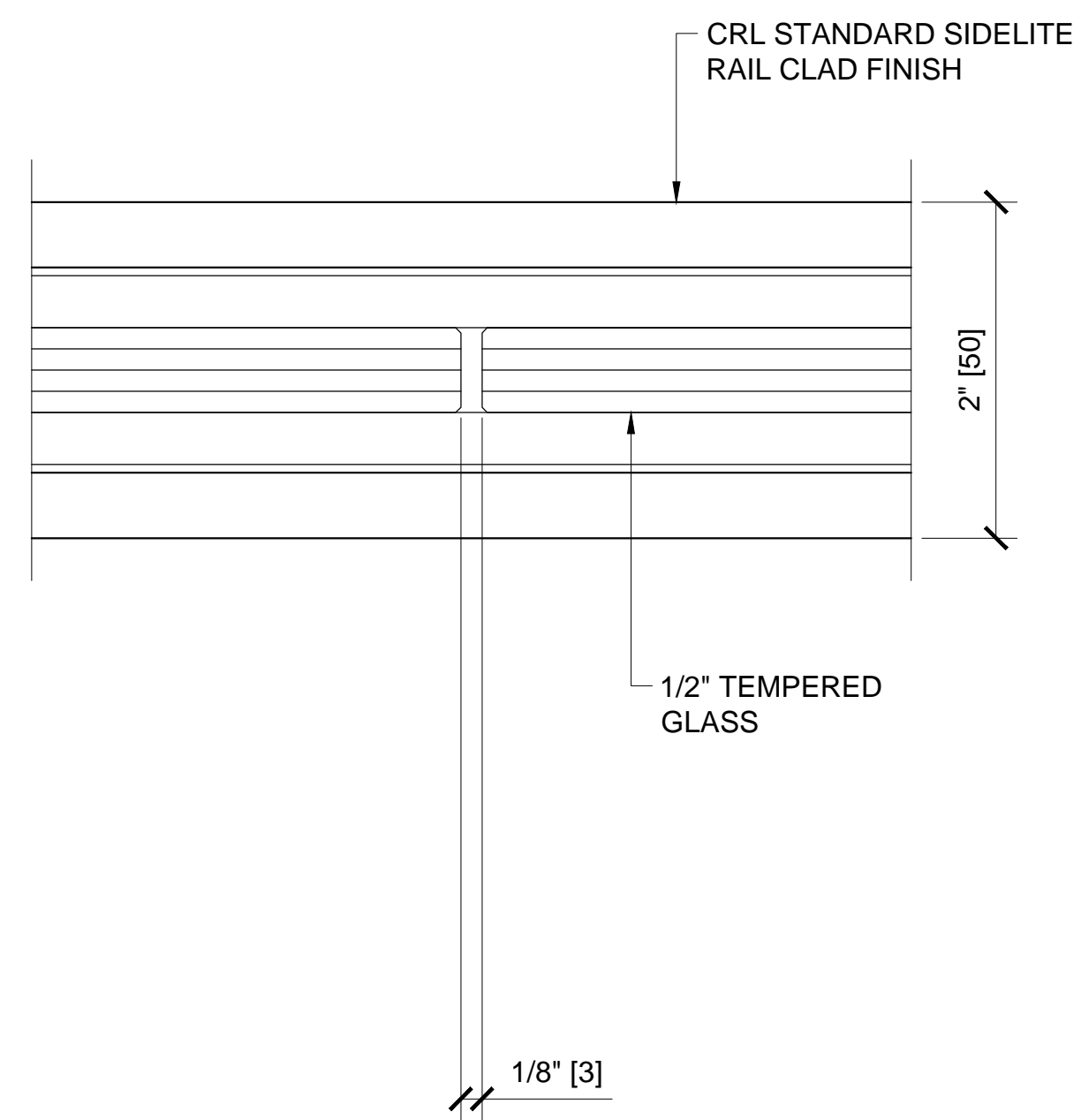
Drawn By: AAD
Date: 1/3/14
Scale: 1'-0" = 1'-0"
File Name: PATCH FITTINGS-WL3812.dwg

Sheet

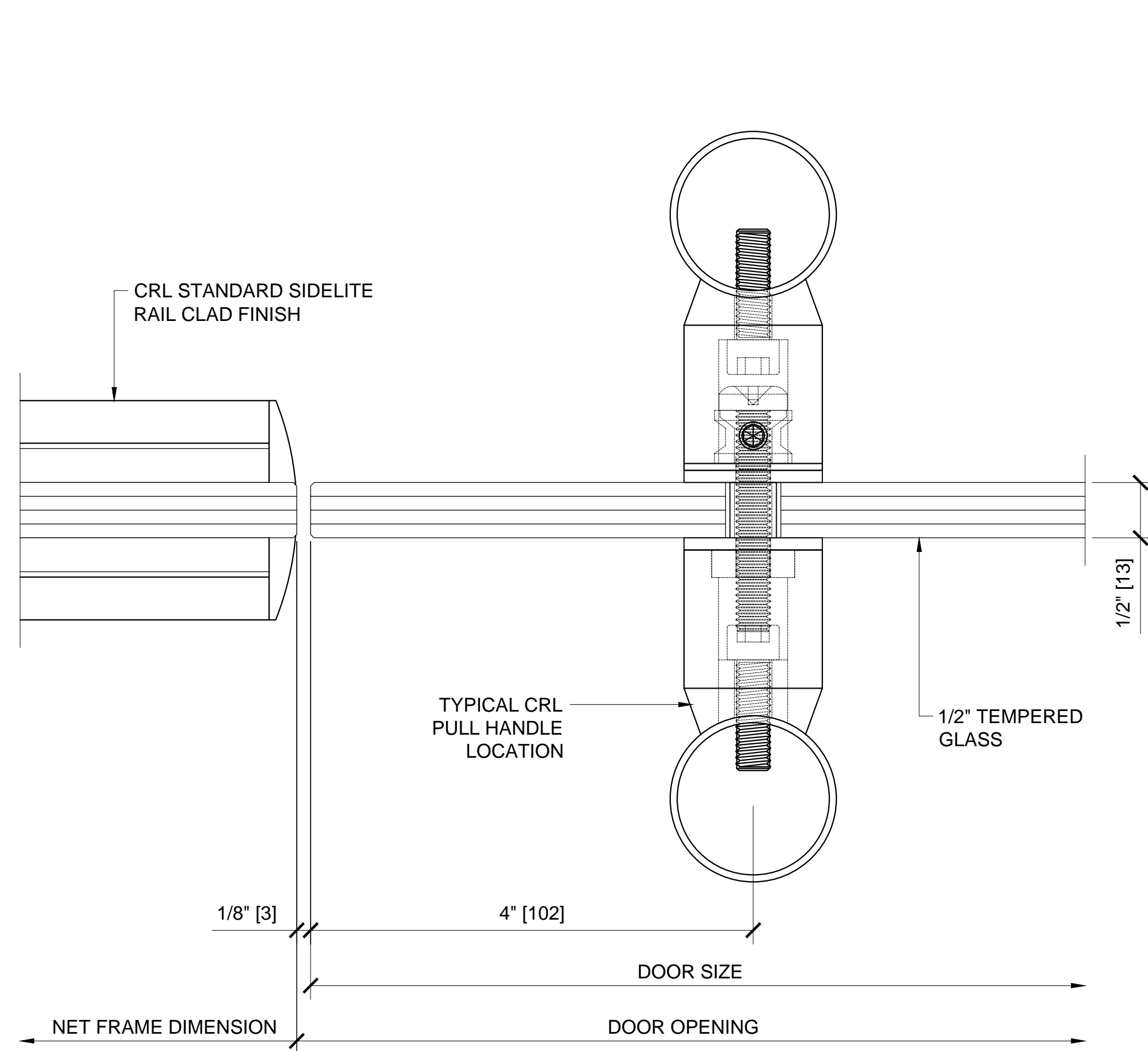
Revisions By:



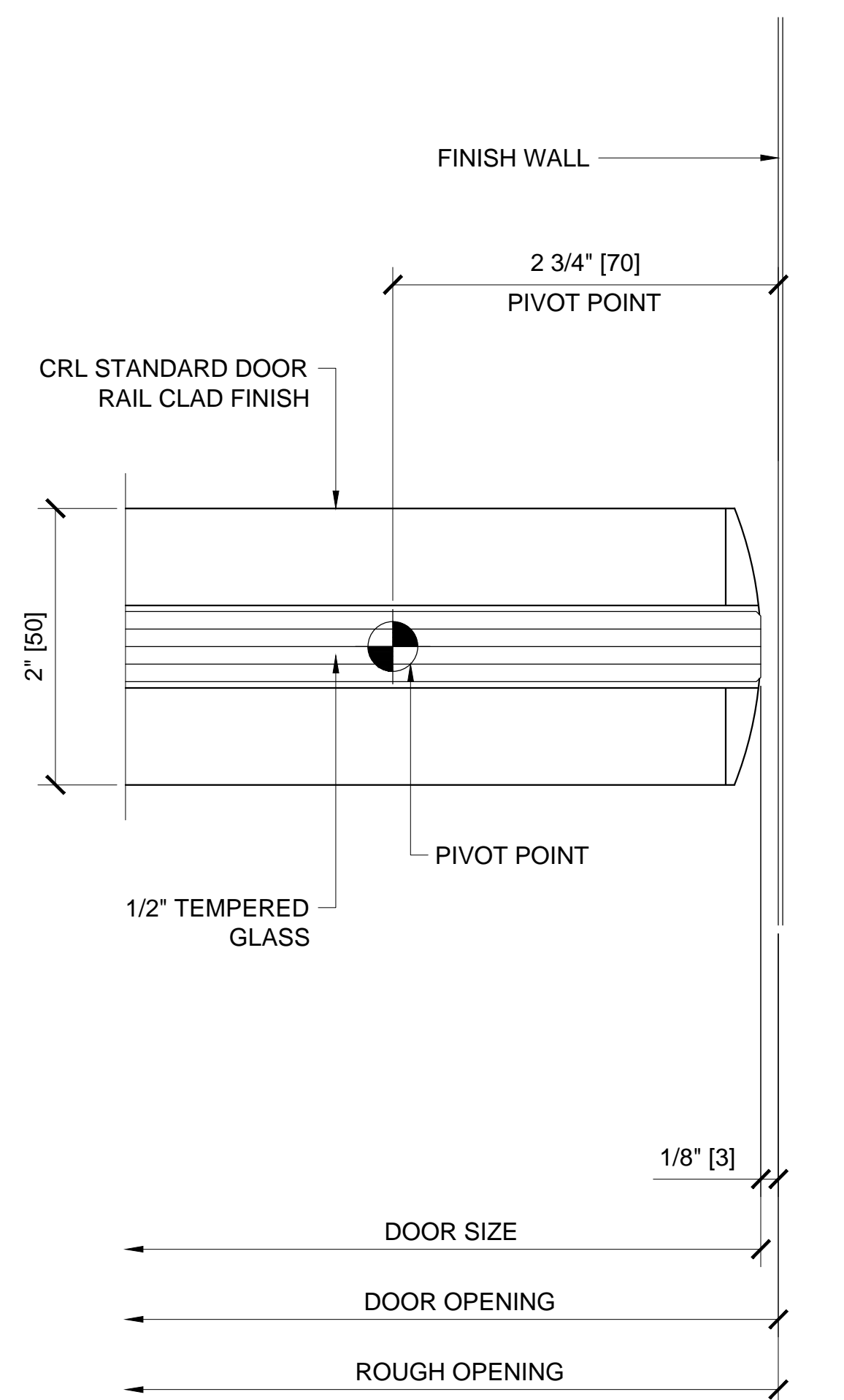
PLAN VIEW @ SIDELITE JAMB (2.7)



PLAN VIEW @ SIDELITE JOINT (2.8)



PLAN VIEW @ SIDELITE /DOOR JAMB (2.9)

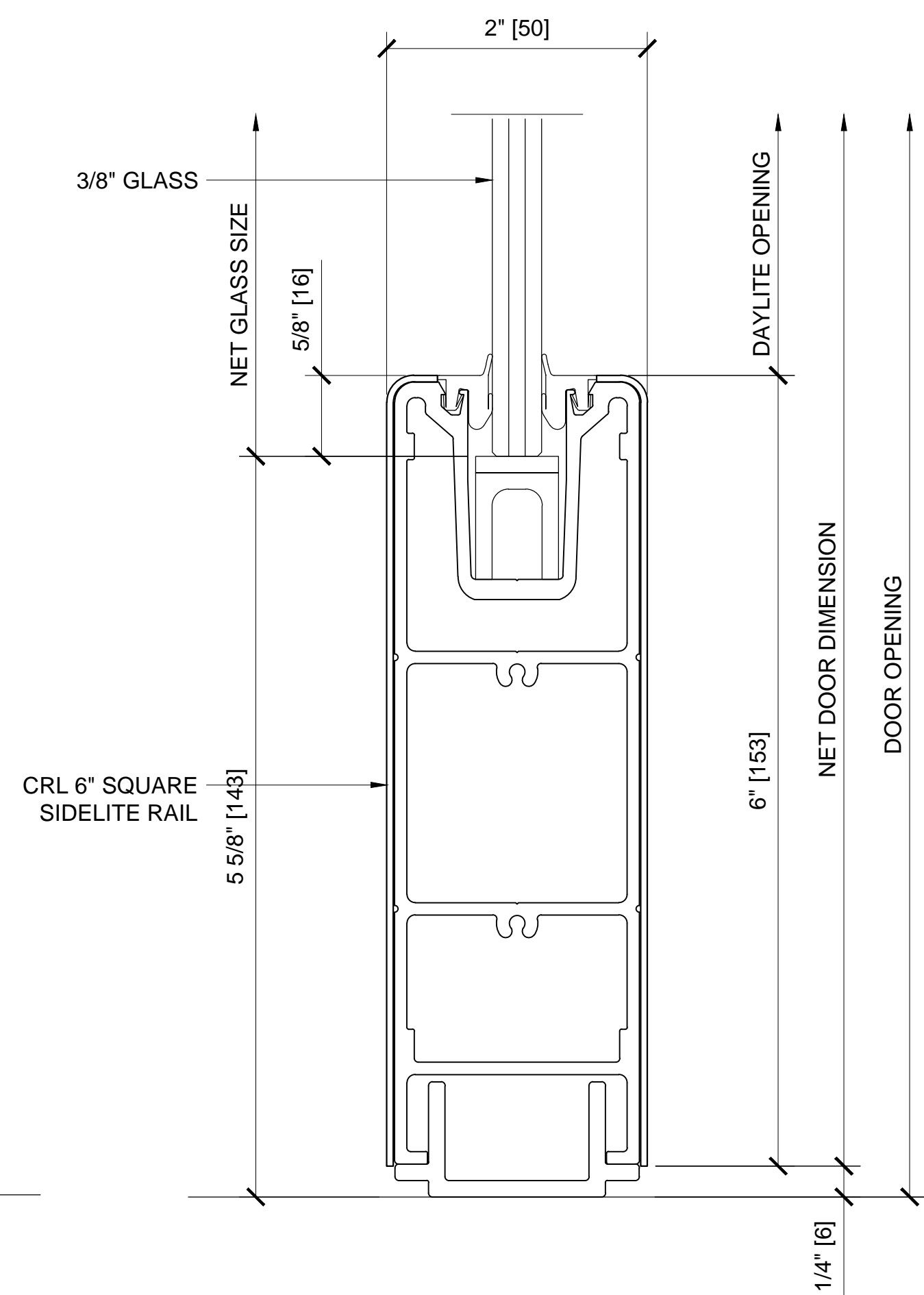
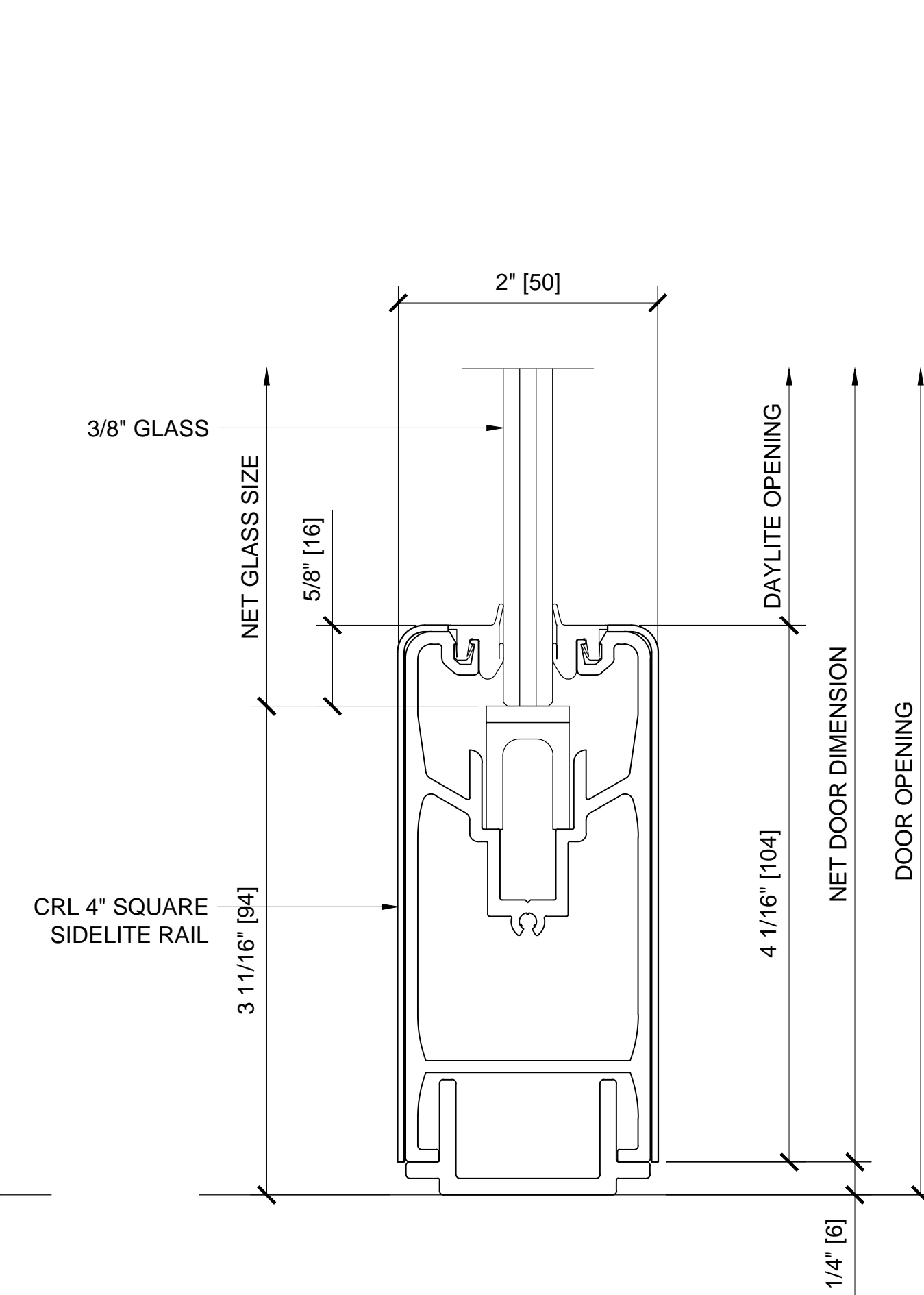
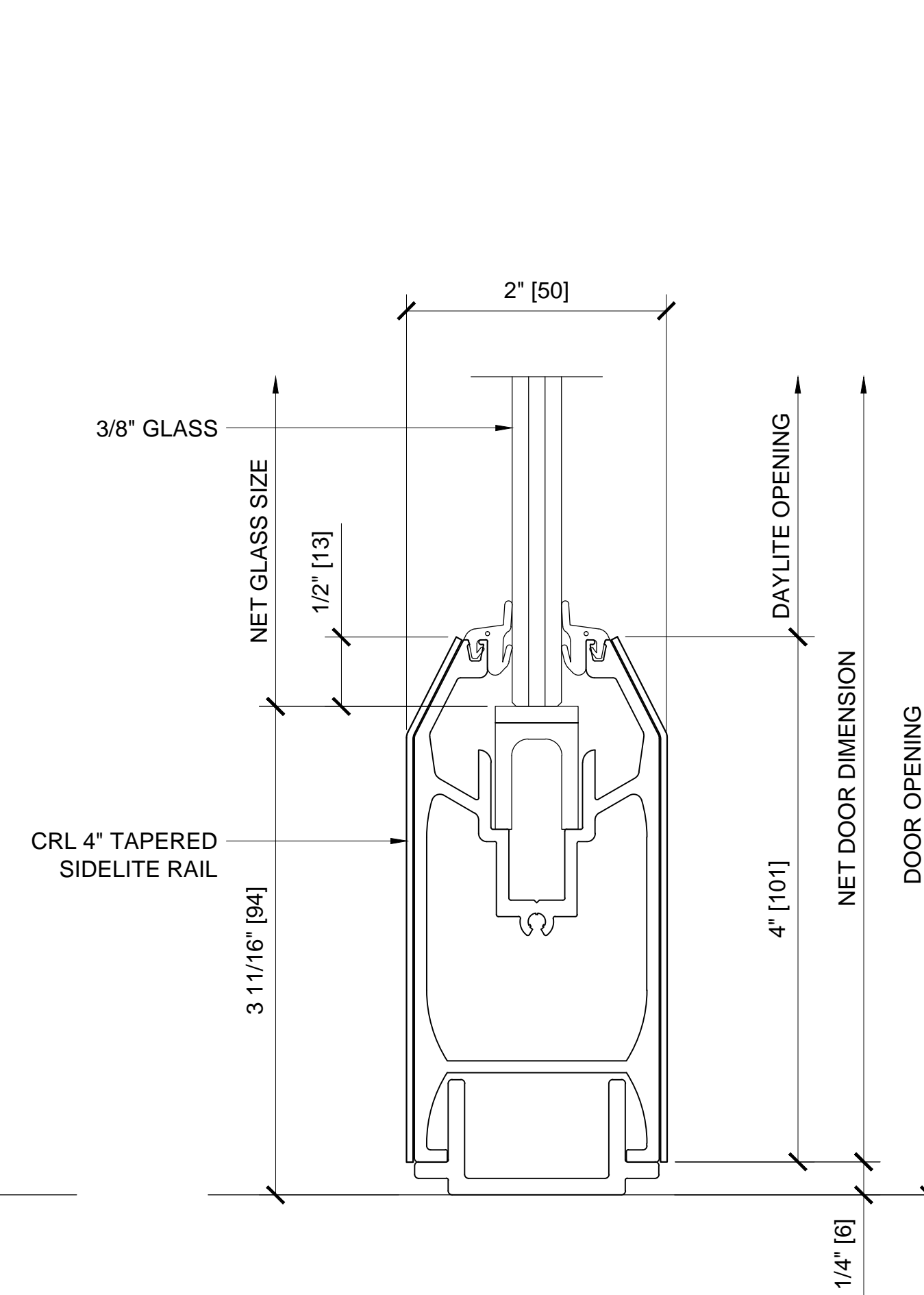
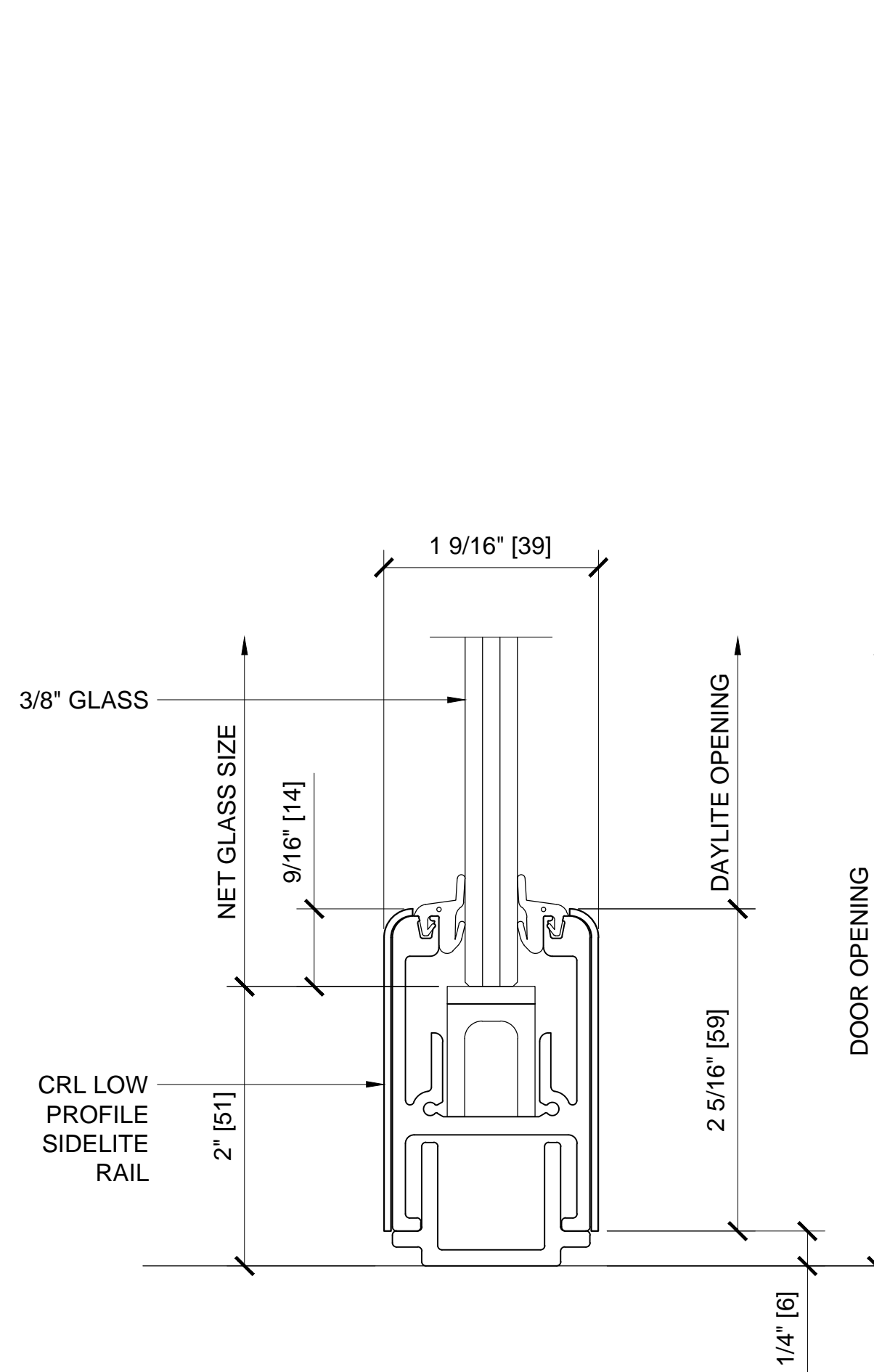
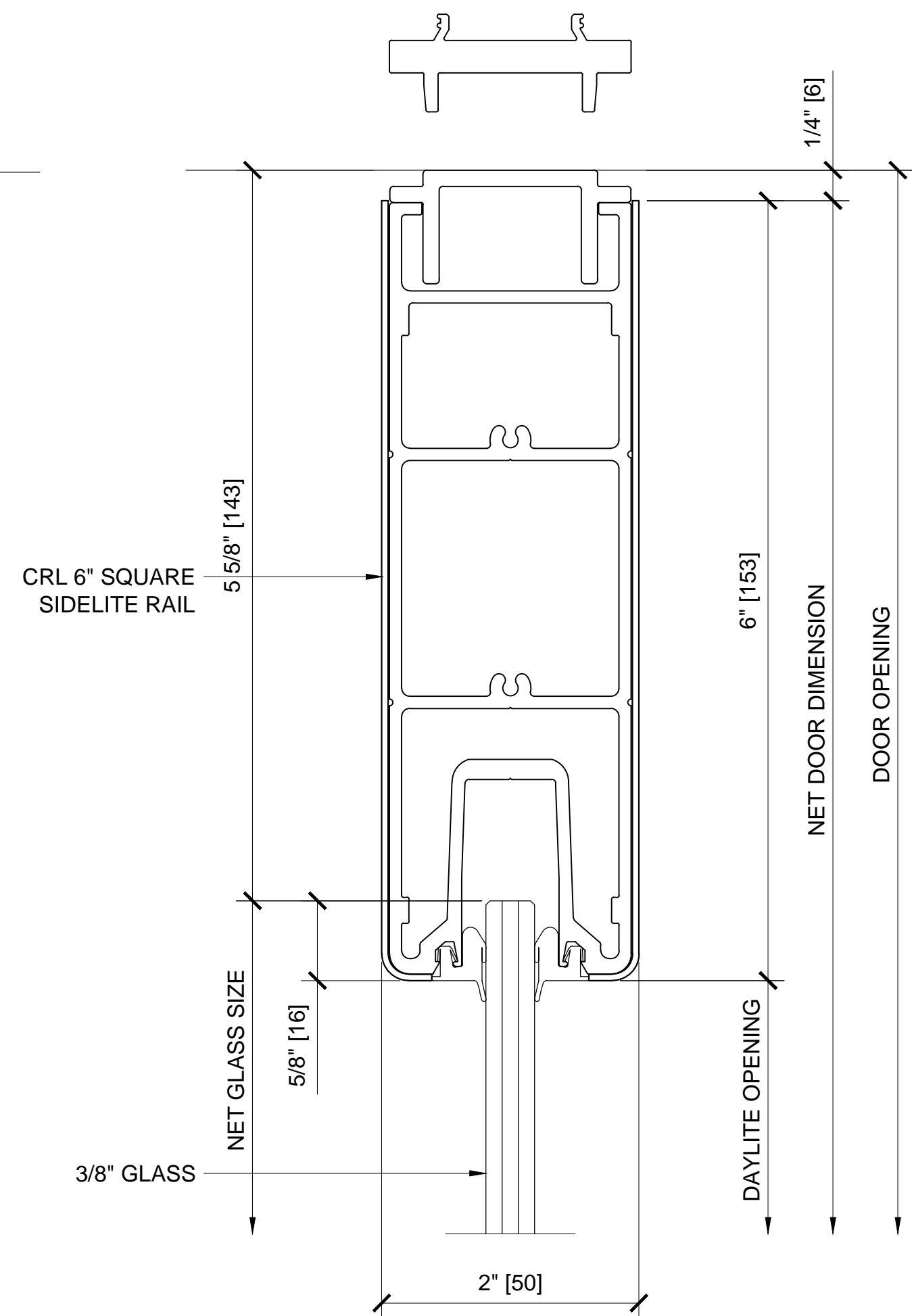
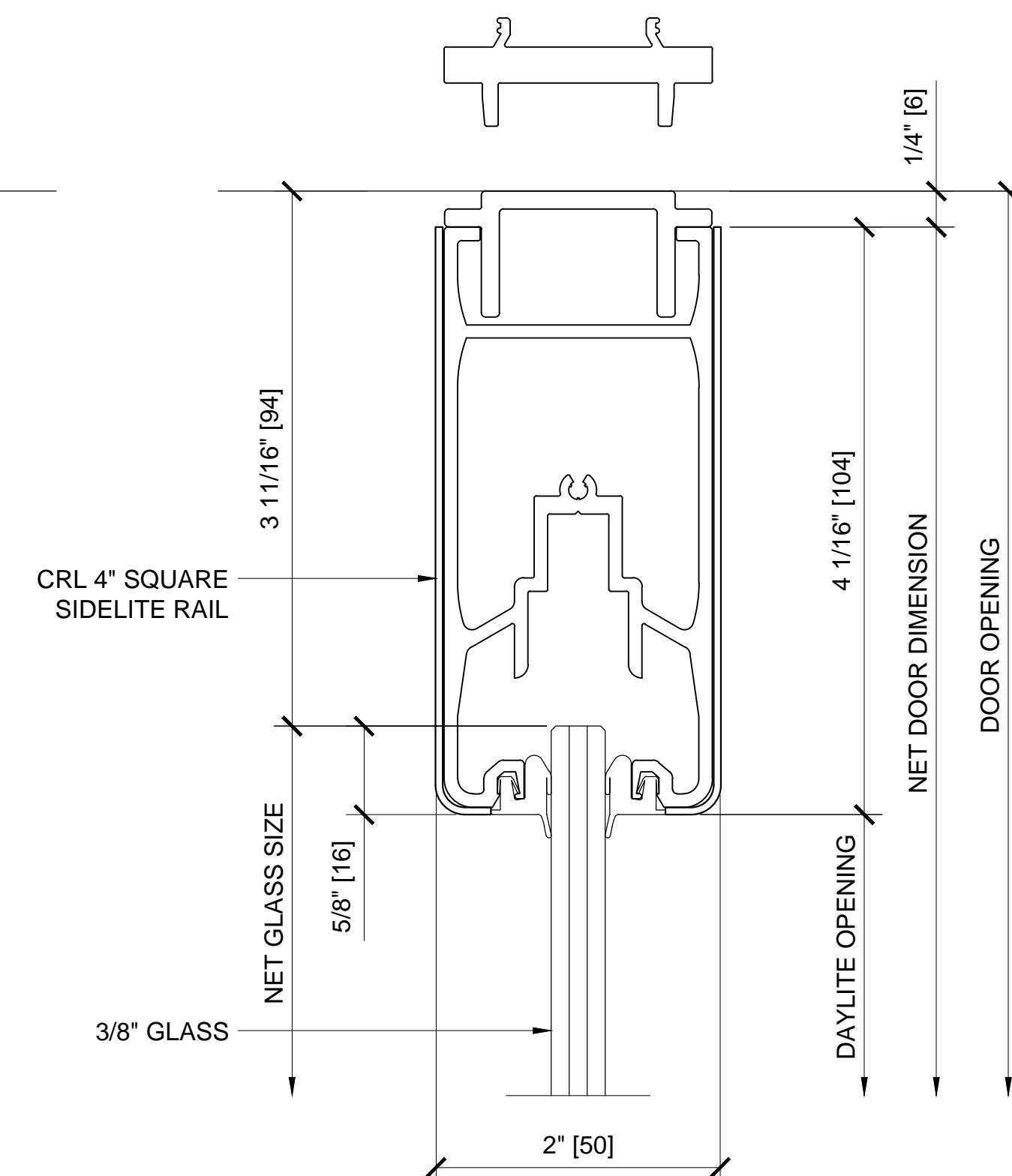
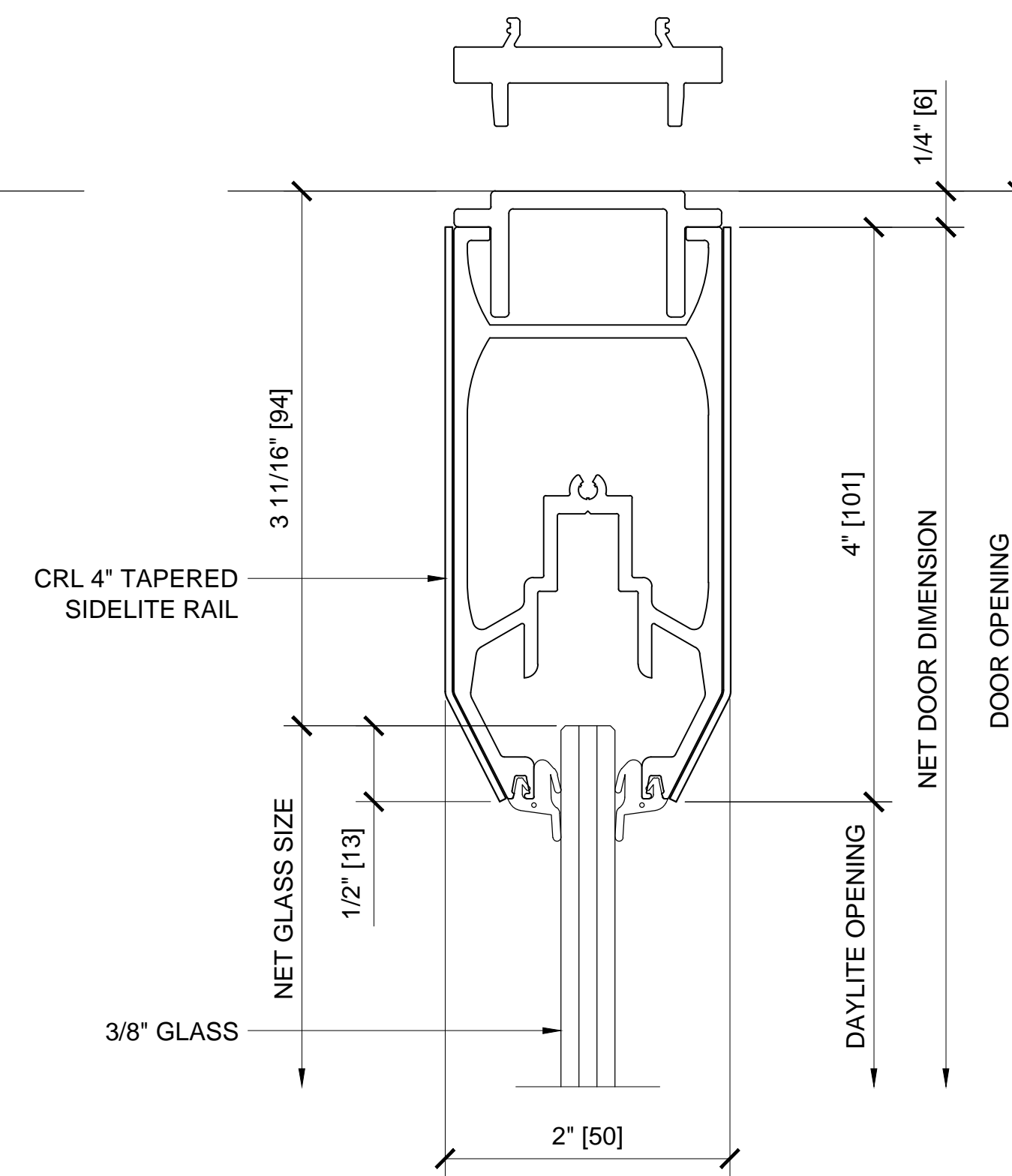
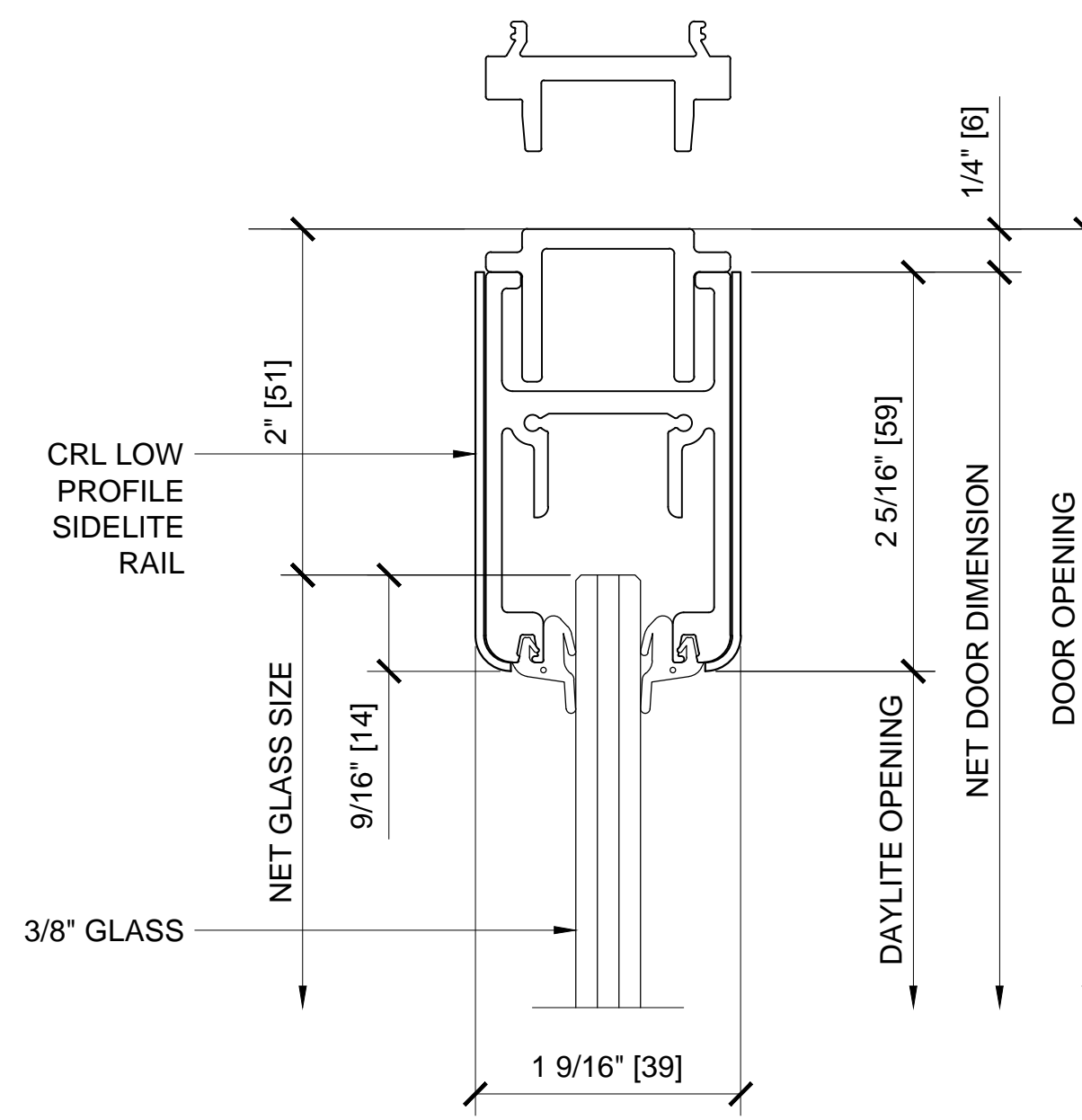


PLAN VIEW @ DOOR JAMB (2.10)

Description:
 CRL COMMERCIAL PATCH
 HARDWARE AND SIDELITES
 WEDGE LOCK STYLE
 FOR 3/8"-1/2" GLASS

Drawn By: AAD
 Date: 1/3/14
 Scale: 1'-0" = 1'-0"
 File Name:
 PATCH FITTINGS-WL3812.dwg

Sheet



CRL LOW PROFILE SIDELITE RAIL

CRL 4" TALL TAPERED SIDELITE RAIL

CRL 4" TALL SQUARE SIDELITE RAIL

CRL 6" TALL SQUARE SIDELITE RAIL

STANDARD SIDELITE RAILS FOR 3/8" GLASS

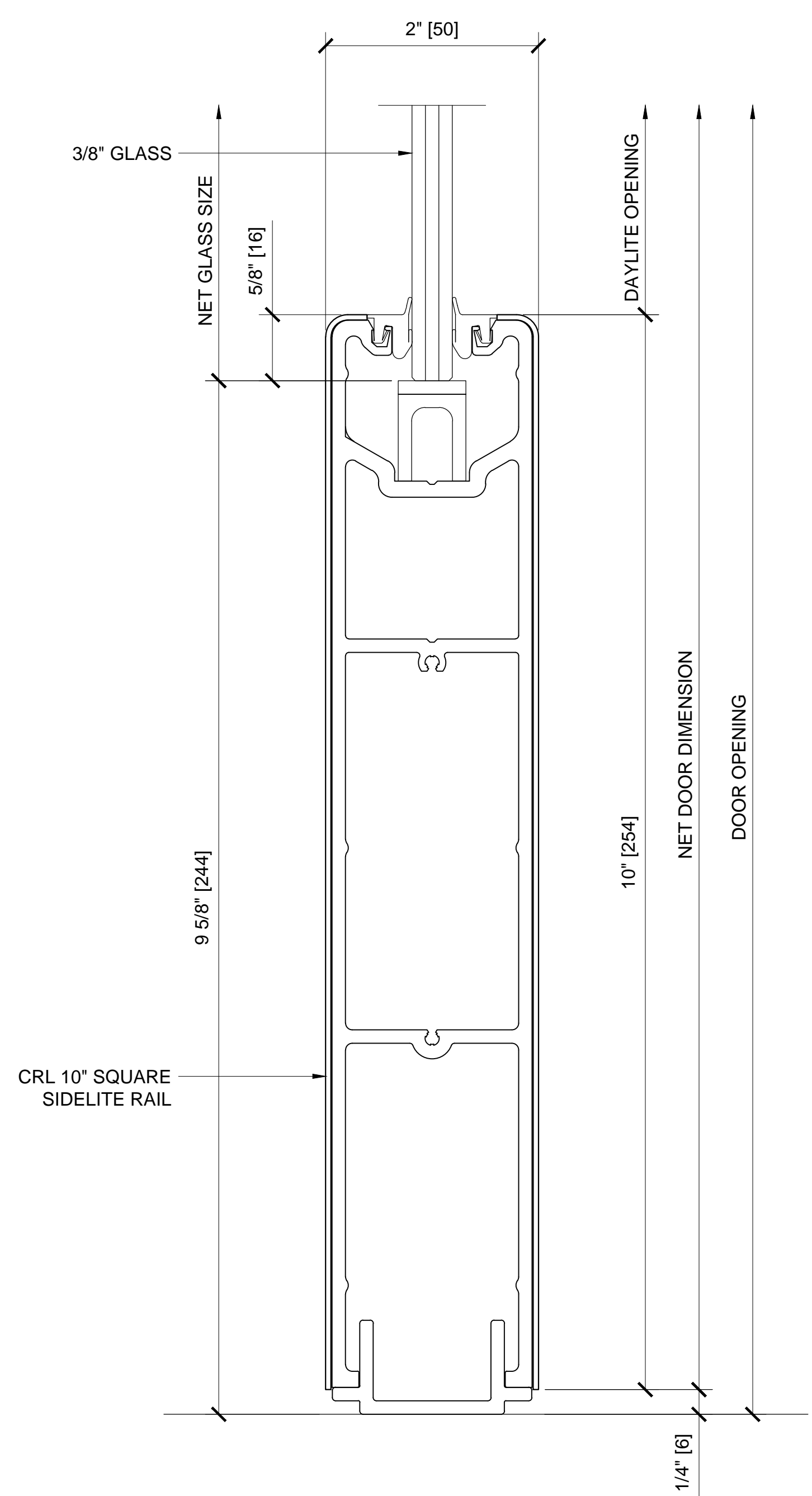
Revisions By:



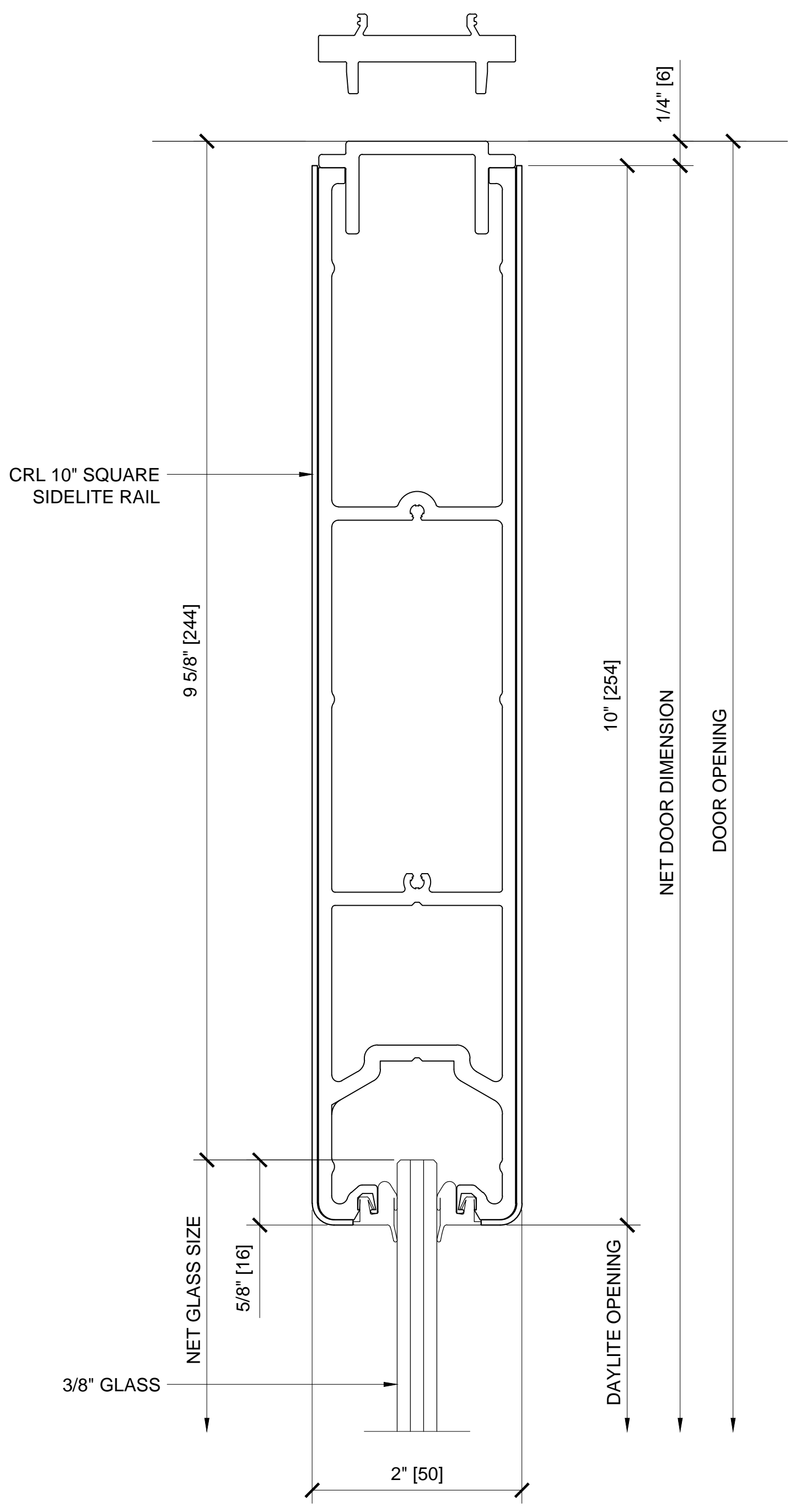
Description:
**CRL COMMERCIAL PATCH
 HARDWARE AND SIDELITES
 WEDGE LOCK STYLE
 FOR 3/8"-1/2" GLASS**

Drawn By: AAD
 Date: 1/3/14
 Scale: 1'-0" = 1'-0"
 File Name: PATCH FITTINGS-WL3812.dwg

Sheet



CRL 10" TALL SQUARE SIDELITE RAIL



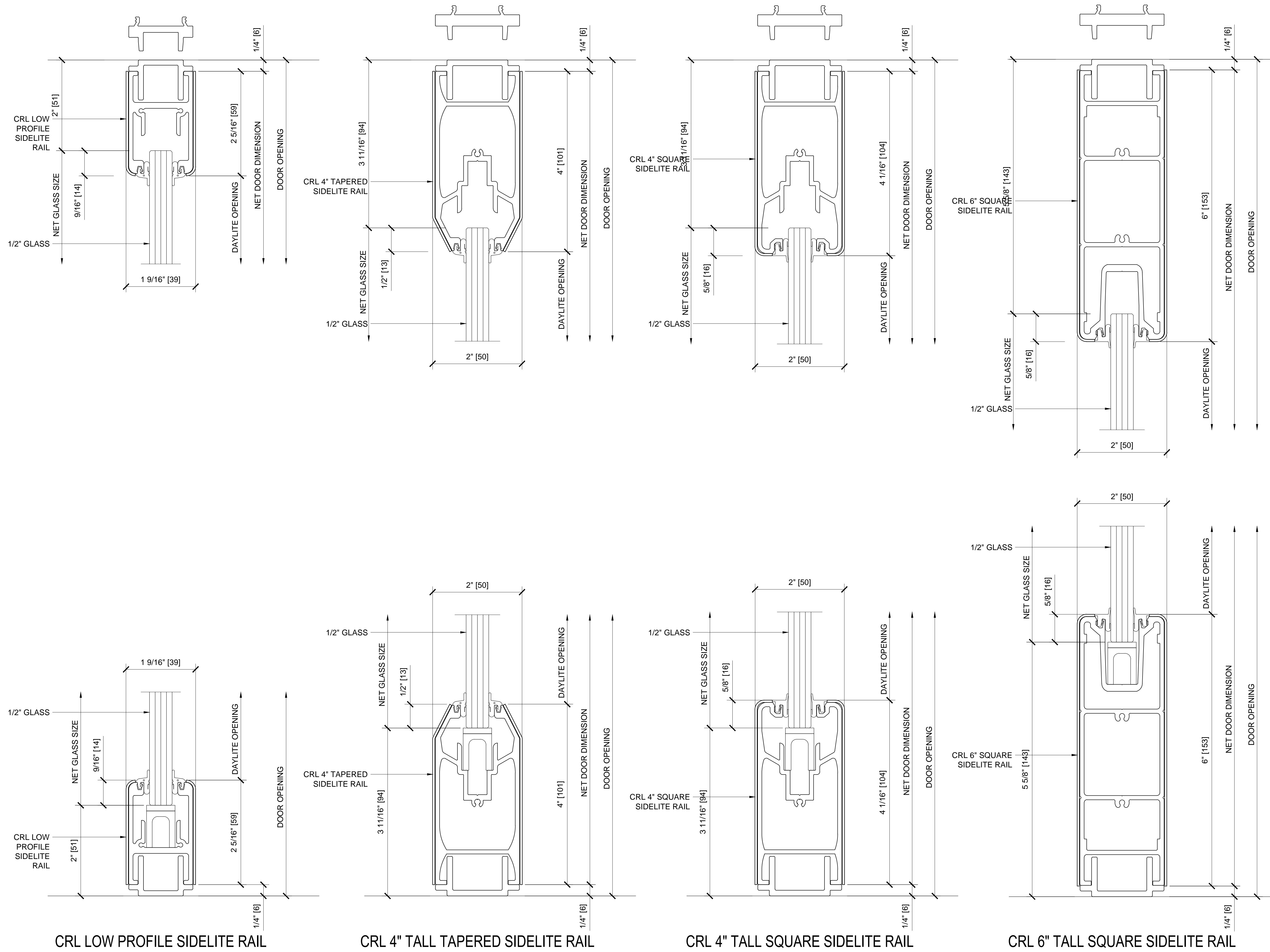
STANDARD SIDELITE RAILS FOR 3/8" GLASS

Revisions By:

C.R. LAURENCE CO. ARCHITECTURAL PRODUCTS
 2503 E. Vernon Avenue, Los Angeles, CA 90058-1897
 PH (800)-421-6144 FX: 800-987-7501 www.crlaurence.com

Description:
 CRL COMMERCIAL PATCH
 HARDWARE AND SIDELITES
 WEDGE LOCK STYLE
 FOR 3/8"-1/2" GLASS

Drawn By:	AAD
Date:	1/3/14
Scale:	1'-0" = 1'-0"
File Name:	PATCH FITTINGS-WL3812.dwg



STANDARD SIDELITE RAILS FOR 1/2" GLASS

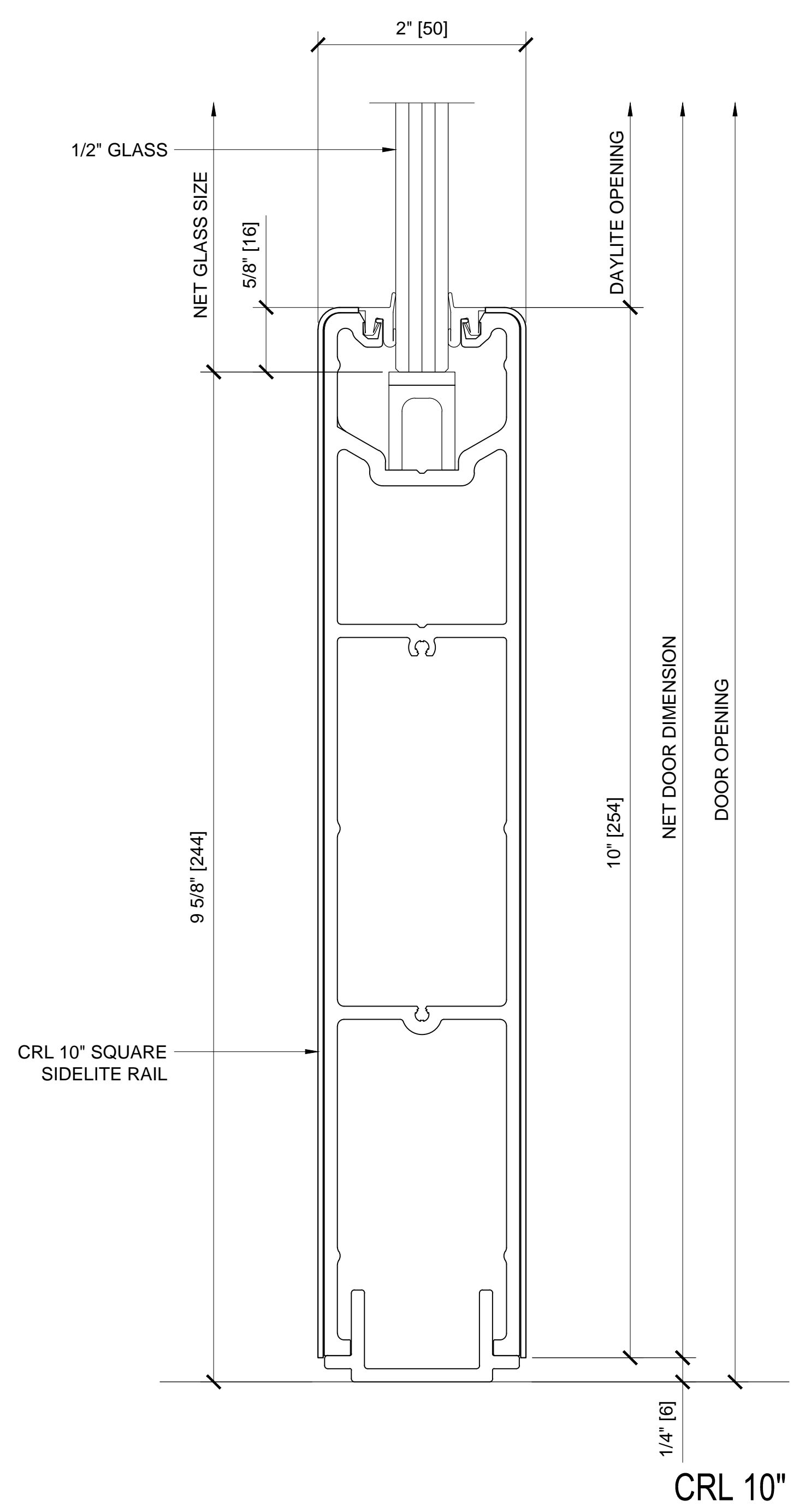
Revisions By:



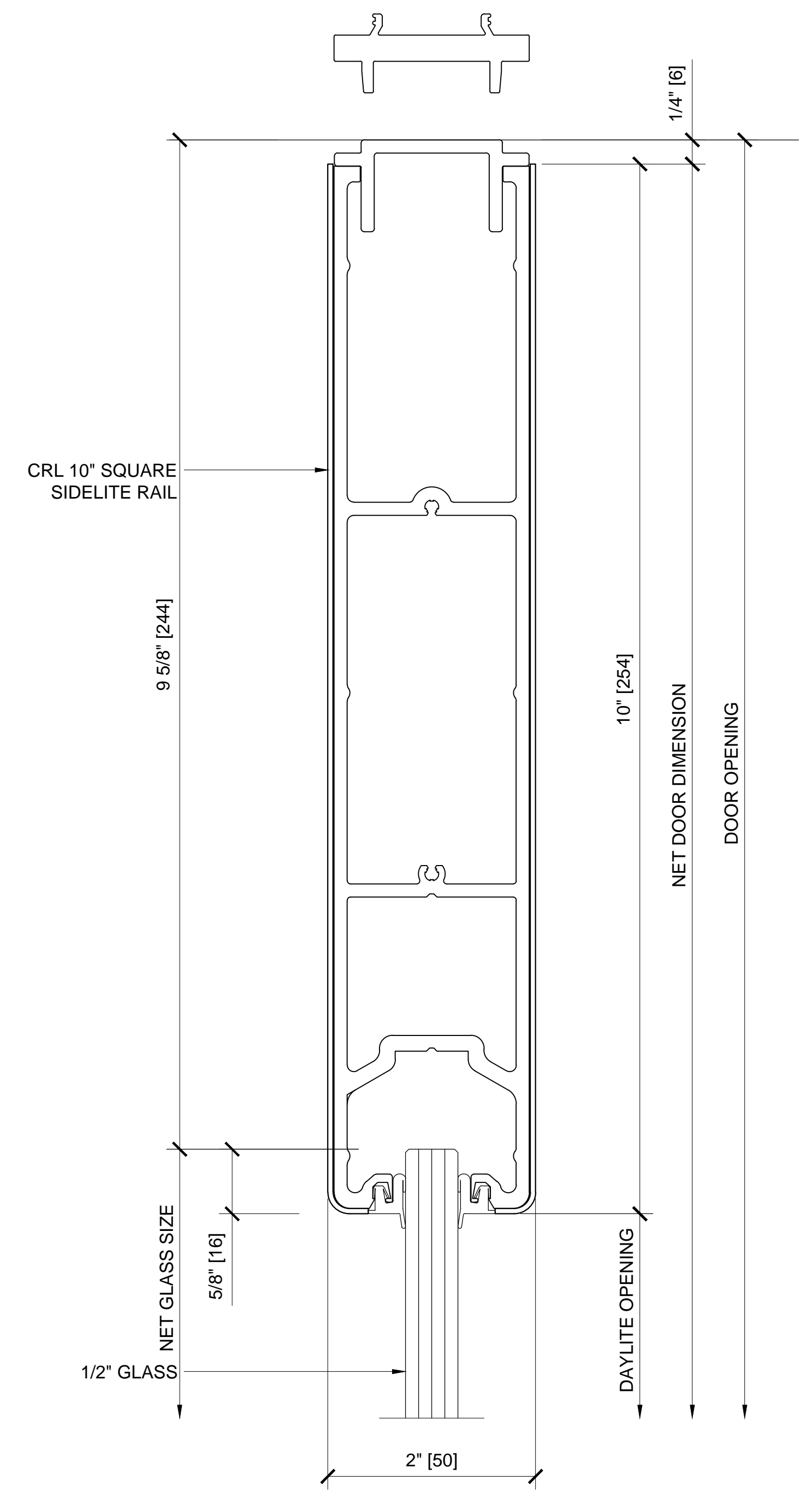
Description:
 CRL COMMERCIAL PATCH
 HARDWARE AND SIDELITES
 WEDGE LOCK STYLE
 FOR 3/8"-1/2" GLASS

Drawn By: AAD
 Date: 1/3/14
 Scale: 1'-0"=1'-0"
 File Name: PATCH FITTINGS-WL3812.dwg

Sheet



CRL 10" TALL SQUARE SIDELITE RAIL



STANDARD SIDELITE RAILS FOR 1/2" GLASS

Revisions By:



CRL
US ALUMINUM

C.R. LAURENCE CO. ARCHITECTURAL PRODUCTS
2503 E. Vernon Avenue, Los Angeles, CA 90058-1897
PH (800)-421-6144 FX: 800-987-7501 www.crlaurence.com

Description:
CRL COMMERCIAL PATCH
HARDWARE AND SIDELITES
WEDGE LOCK STYLE
FOR 3/8"-1/2" GLASS

Drawn By:	AAD
Date:	1/3/14
Scale:	1'-0" = 1'-0"
File Name:	PATCH FITTINGS-WL3812.dwg